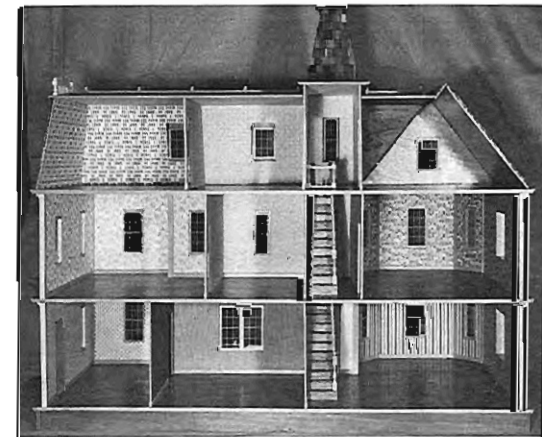


BATRIE DOLLHOUSES

Model No: DH-96K
Dollhouse Kit

ASSEMBLY INSTRUCTIONS



Refer frequently to the photograph of the completed dollhouse on this page to aid you in assembly.

1) INTRODUCTION

Congratulations on your purchase of a Batrie Dollhouse.

Your dollhouse has been precision crafted in Massachusetts with meticulous care by our Yankee Craftsmen using only the finest quality materials.

Take your time during assembly and be sure to read the instructions completely before you proceed.

This dollhouse will last for years, even generations, if proper care and attention is given during assembly.

2) HELPFUL HINTS

Always read through all assembly instructions before assembling the house.

Do not skip steps. Follow the instructions in the defined sequence.

- a) Arrange pieces in groups ready for assembling. Following the assembly instructions, assemble enough in a dry run to be sure you know ahead of time when and how each part fits. Always be sure of the parts orientation before gluing.

- b) Sand any rough edges or splinters before gluing.
- c) Use generous amounts of glue. Always wipe off excess glue immediately.
- d) Make all joints flush. Keep surfaces and edges square.
- e) Occasional changes in humidity can cause all woods to expand or contract slightly. Always "dry-fit" parts before gluing. Limited sanding or clamping may be required for proper fit.
- f) All Batrie dollhouse kits are inspected before shipment. However, climatic changes and handling during shipment may cause defects.

If this occurs and there is sufficient time for us to replace the part, please contact our Service Department for replacement.

(Address on next page)

Be sure to include explicit identification and measurements for replacement part.

Most repairs can easily be made by the kit builder using either white glue or plastic-wood filler and sandpaper.

Warped parts are usually self-straightening during assembly.

- g) A large, clutter-free, well lighted work area is most helpful during assembly.
- h) Before you begin to assemble the dollhouse, it will be helpful to have the following materials handy:

White glue (Elmers)

Elastic Bands

Masking Tape (2+ inches wide)

Sandpaper (Medium grit)

Pencil

Ruler

- i) It will be necessary to use weights when gluing to insure proper adhesion and minimize slippage. Books or other flat household objects work very well as weights in these situations.
- j) Read the instructions carefully, look at the illustrations and photograph on the front cover; and think the assembly through before you proceed.

TAKE YOUR TIME

- k) Note: Extra trim parts are often supplied to insure that you receive the correct number and highest quality material to assemble your dollhouse.

SATISFACTION GUARANTEED

Note: We have done everything humanly possible to insure that this kit reaches you in perfect condition. If by chance you are missing a part or find some damage write or call direct for replacements.

Write:

BATRIE Dollhouses
Service Department
P.O. Box A
970 Fellsway
Medford, MA. 02155

Telephone:

(617) 396-8080

- 3) The first step is to identify and familiarize yourself with all the items in the kit. Figure 1 identifies the major plywood parts in the kit.

(Not shown are the plywood foundation parts, stair risers, and false bottom parts.)

- 4) The kit also includes the following parts separately bagged for your convenience.

- a) 9 Large Window Kits
- b) 6 Narrow Window Kits
(Refer to page 27, 28, 29)
- c) 2 Dormer Window Kits
(Refer to Figure 12 and 11A)
- d) 1 Round Window Kit
- e) 2 Door Kits
(Refer to page 36 and 37)
- f) 2 Die-Cut Interior Stair Kits
(Refer to page 34)
- g) 1 Dormer Window
- h) 2 Bay Window Kits
- i) 1 Double Window Kit
- j) 2 Die-Cut Front Stair Kits
(Refer to page 35)
- k) Railing Trim Kit
(Refer to Figure 14)

- l) Edge Nosing Kit
(Refer to Figure 17 and 18)

- m) Exterior Trim Kits:

- 84 Large Eaves Bkts.
- 3 Long Porch Turnposts 2-7/8" long
- 15 Short Porch Turnposts 1-3/4" long
- 1 Front Porch Turnpost
- 140 1" Porch Spindle
- 60 2" Porch Spindles
- 30 Window Brackets

MAJOR PLYWOOD PARTS

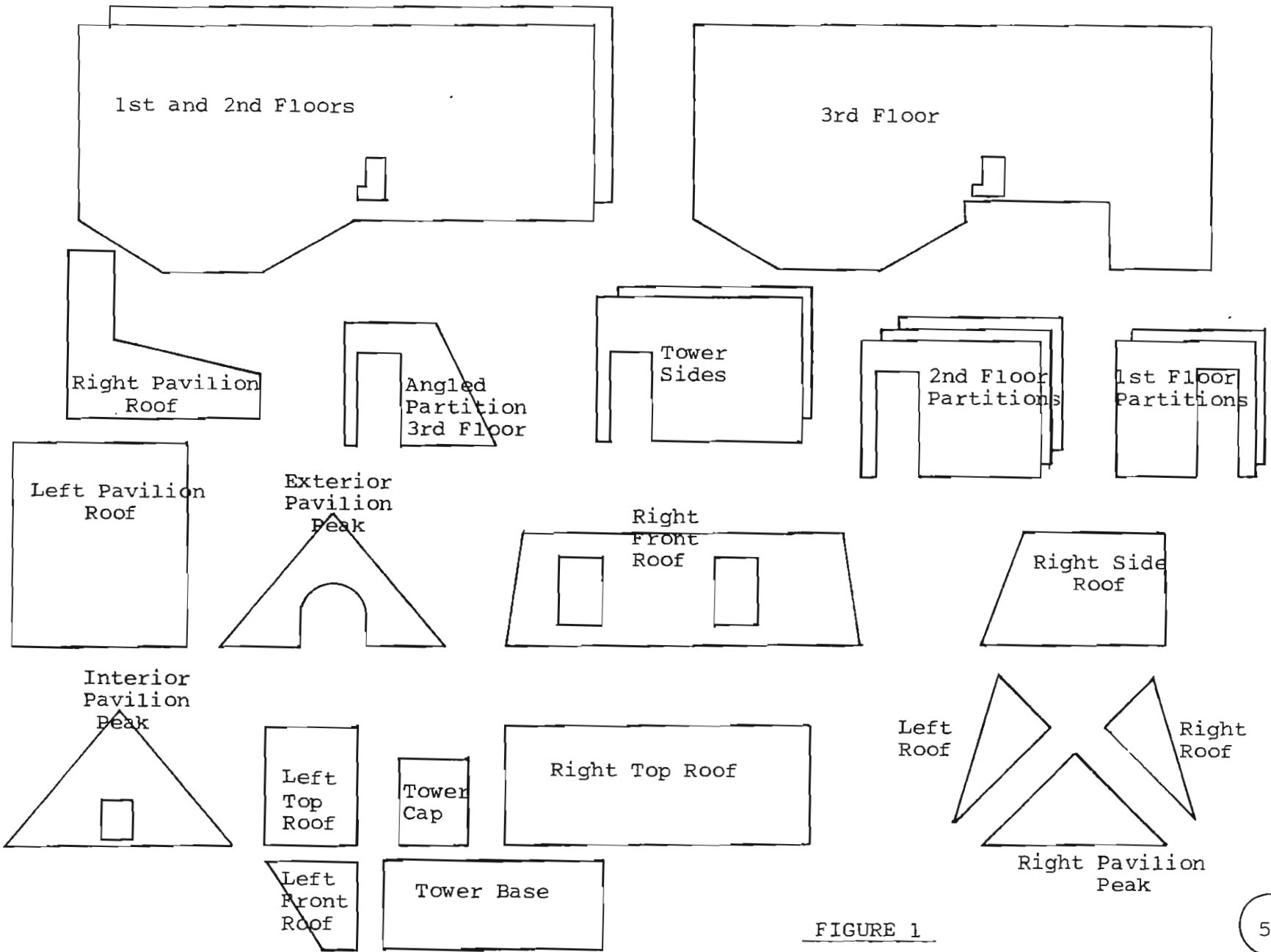
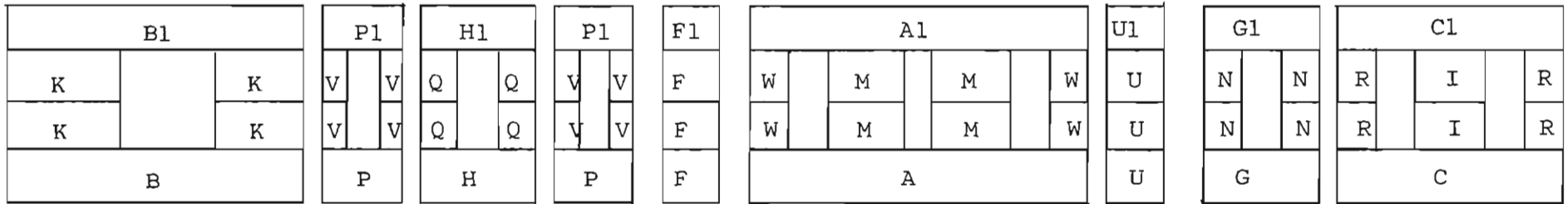


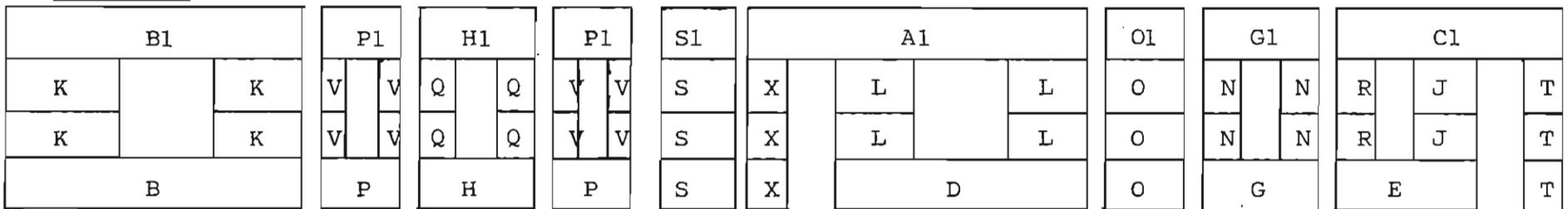
FIGURE 1

LEVEL 2

CLAPBOARD SIDING LAYOUT DIAGRAM

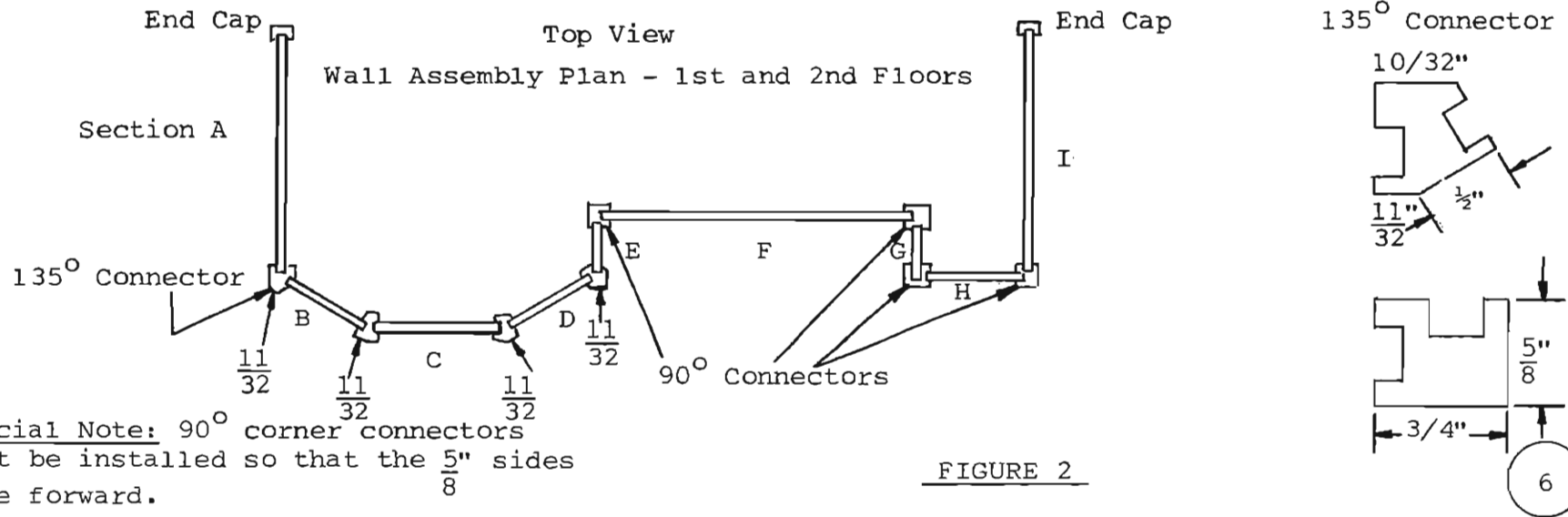


Section 2 A..... B C D E F G H I



Section 1 A..... B C D E F G H I

Level 1



Special Note: 90° corner connectors must be installed so that the 5/8" sides face forward.

FIGURE 2

5) Figure 2 illustrates the Clapboard siding pieces required to build the first and second floors of the dollhouse.

| <u>PIECE</u> | <u>QUANTITY</u> | <u>LENGTH</u> (in inches) |
|--------------|-----------------|---------------------------|
| A | 1 | 20-21/32" |
| A1 | 2 | 20-21/32" (No Tongue) |
| B | 2 | 19-11/16" |
| B1 | 2 | 19-11/16" (No Tongue) |
| C | 1 | 19" |
| C1 | 2 | 19" (No Tongue) |
| D | 1 | 15-31/32" |
| E | 1 | 12-21/32" |
| F | 3 | 3-3/16" |
| F1 | 1 | 3-3/16" |
| G | 2 | 9-1/2" |
| G1 | 2 | 9-1/2" (No Tongue) |
| H | 2 | 9-1/4" |
| H1 | 2 | 9-1/4" (No Tongue) |
| I | 2 | 6-7/8" |
| J | 2 | 6-19/32" |

| <u>PIECE</u> | <u>QUANTITY</u> | <u>LENGTH</u> (in inches) |
|--------------|-----------------|---------------------------|
| K | 8 | 7-9/32" |
| L | 4 | 5-7/16" |
| M | 4 | 5" |
| N | 8 | 3-15/32" |
| O | 3 | 4-1/16" |
| O1 | 1 | 4-1/16" (No Tongue) |
| P | 4 | 3-13/16" |
| P1 | 4 | 3-13/16" (No Tongue) |
| Q | 8 | 3-11/32" |
| R | 6 | 3-1/2" |
| S | 3 | 4-5/8" |
| S1 | 1 | 4-5/8" (No Tongue) |
| T | 3 | 3-7/32" |
| U | 3 | 2-5/8" |
| U1 | 1 | 2-5/8" (No Tongue) |
| V | 16 | 1" |
| W | 4 | 1-27/32" |
| X | 3 | 1-9/16" |

The tower clapboard parts are shown in Figure 11 and include:

| | | |
|----|---|----------|
| Y1 | 1 | 5-1/16" |
| Y | 1 | 5-1/16" |
| Z | 4 | 1-19/32" |

- 6) We will now build up the walls for the first level of the dollhouse.

Identify and arrange the siding for the 9 walls of the first level (Sections 1-A through 1-I) Per Figure 2.

Without glue, dry-fit clapboard siding pieces to make sure that they interlock without interference.

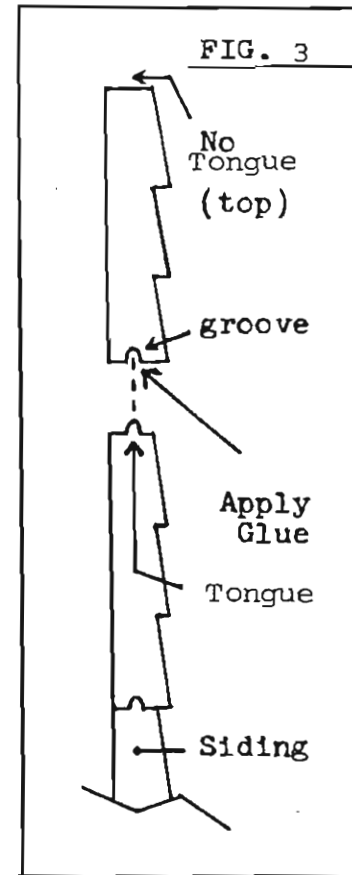
Note: The clapboard siding pieces without a tongue are always installed at the top of a wall section. Sand any protrusions to make sure the siding fits properly.

- 7) After you are satisfied that the siding will interlock properly, you are ready to glue up the wall section.

Start with section 1-A, per diagram 3 and glue the siding together by running a bead of white glue into the groove end of the pieces and pressing the tongue ends of adjacent pieces into position.

Push the siding pieces together on a flat surface applying weight and side pressure as required to make a tight joint.

It is important that the ends of the siding are square and flush.



Place the sections on a flat surface and weight with books or similar objects until the glue sets.

- 8) Complete the remaining wall sections (1-B through 1-I) for the first level of the house. Be sure all windows and door openings are positioned as shown in Figure 2.
- 9) The next step is to install the corner connectors to the built-up wall sections of the first level.

Clean the ends of the wall panels removing excess glue and any protrusions that may occur to make sure the panels will fit into the corner connector grooves.

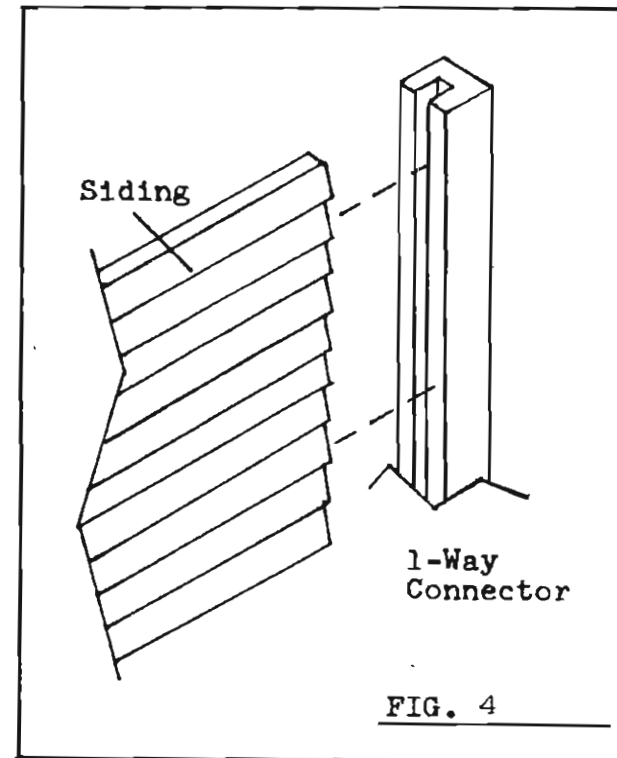
Orient the wall section 1-A so that it is clapboard siding side face-up with the B1 siding piece (without tongue) at the top.

Apply a bead of glue to the groove of a long 1-way connector and install it to the left side of section 1-A. Refer to Figure 4.

- 10) Next, install a 135° corner connector to the right side of section 1-A. Refer to Figure 2.

Note: It is important that the corner connectors be installed per the drawing in Figure 2. Be particularly careful that the dimensioned faces of the connectors are in accordance with the drawing.

In this case, the 1/2 inch face of the 135° corner connector must face up for it to be properly installed.



- 11) Install the remaining corner connectors as follows:

- a) A 135° corner connector to the right side of section 1-B.
- b) A 135° corner connector to the right side of section 1-C.
- c) A 135° corner connector to the right side of section 1-D.
- d) A 2-way connector to the right side of 1-E.

- e) A 2-way connector to the right side of 1-F.
- f) A 2-way connector to the right side of 1-G and H.
- g) Finally, a 1-way connector to the right side of 1-I.

- 12) The final step in building up the walls of level 1 is to interlock the wall panel sections together as in Figure 5.

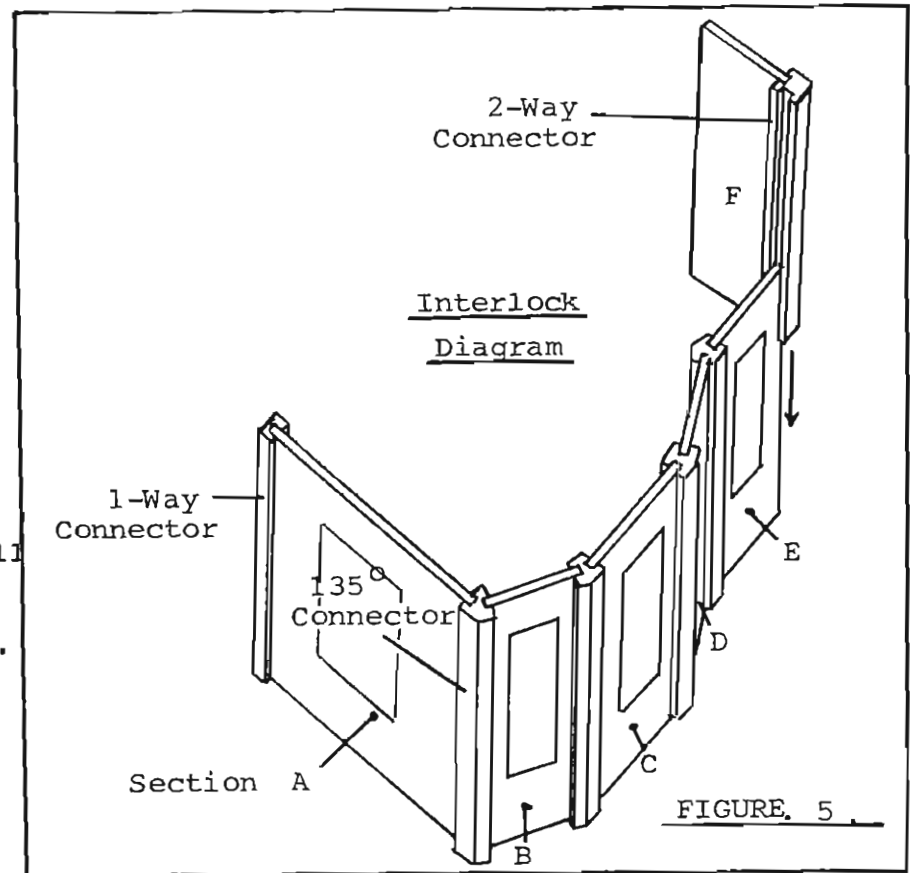
Again, apply a bead of glue to the groove of the open end of a connector and slide the siding section into the connector. Make sure the section fits snugly into the connector and is flush at the bottom.

Refer to Fig.'s 2 and 5 and interlock all wall sections of level 1 so that when you are completed you will have a complete clapboard siding shell for level 1.

Note: Be particular about true positioning of wall sections during gluing procedure. Try to keep completed clapboard siding shell close to its finished position during drying process. Refer to Figure 8.

- 13) Using the procedures outlined in steps 6 through 12, assemble the clapboard siding shell for level 2.

(Temporarily taping clapboard shell to bottom or middle floor will help you align wall sections in their final position until glue has dried.)



14) In this section we will install the foundation to the plywood base.

The plywood base is the floor without a stairwell.

Be sure and position the base upside down as in Figure 6.

Dry fit the foundation pieces around the perimeter of the floor as in Figure 6.

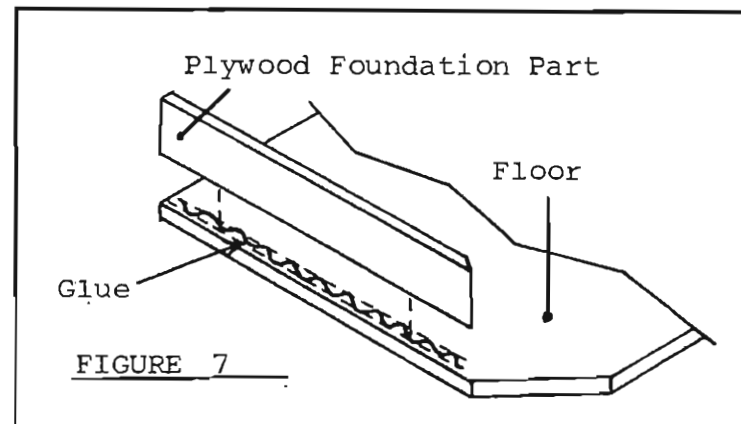
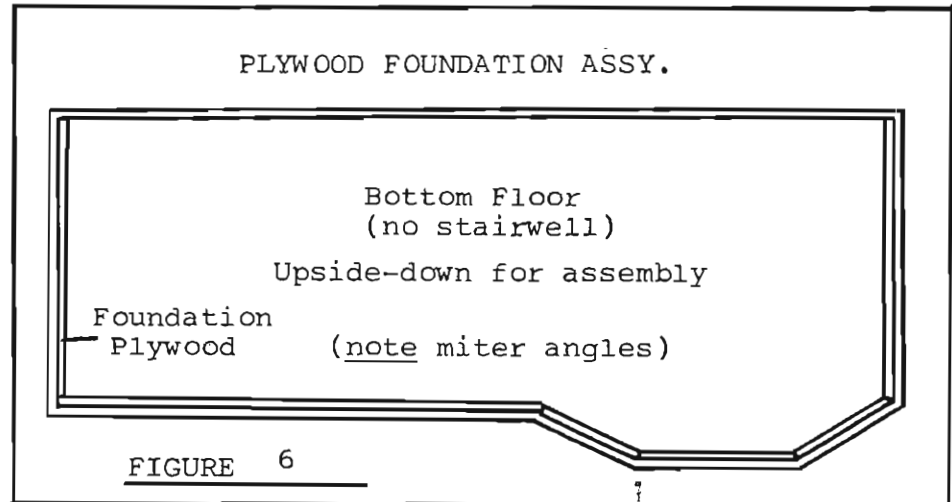
After everything is properly positioned go ahead and glue the pieces in place as shown in Figure 7.

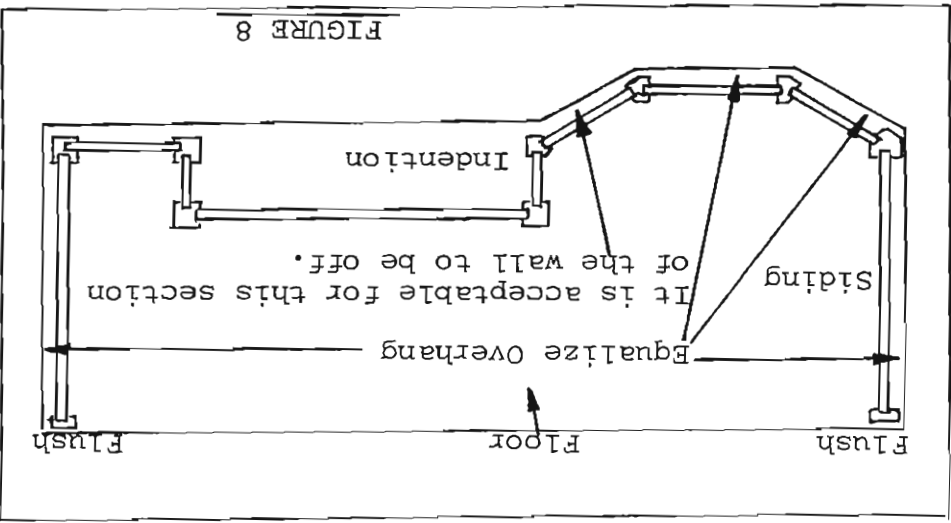
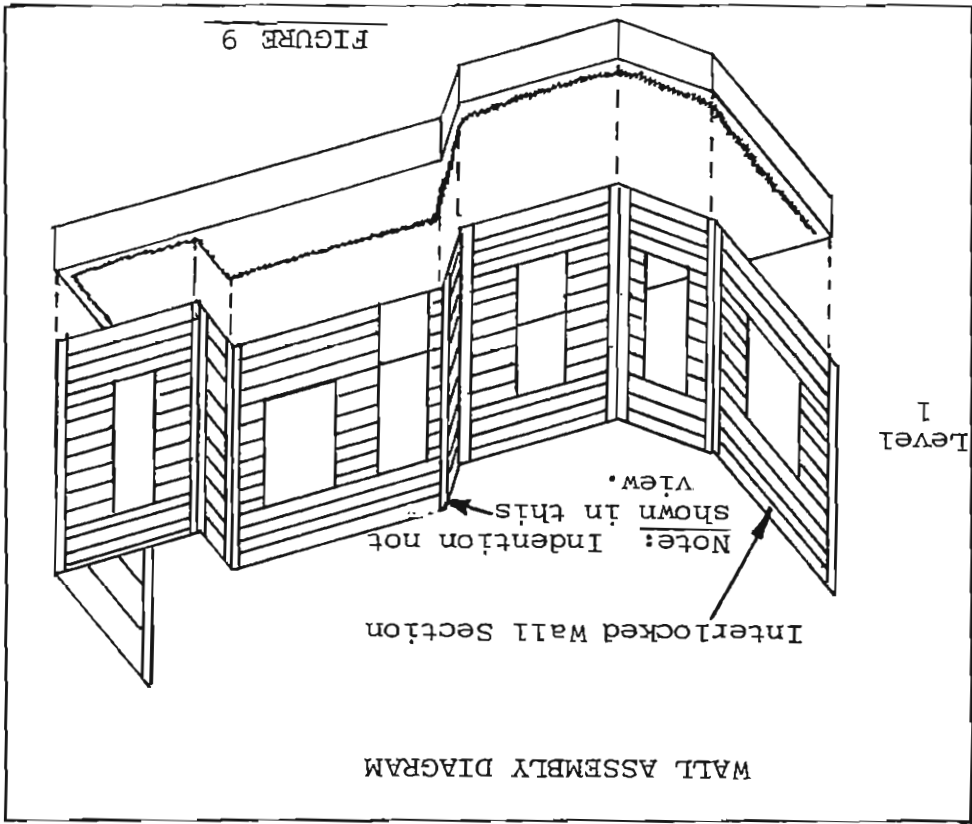
If desired, the installation of the floor can be further secured by nailing the floor to the foundation.

The false bottom supports can also be installed at this time. Refer to pages 38 and 39.

The false bottom should be installed after all decorating and or wiring are complete.

If easy removal is desired screws can be used to secure false bottom, otherwise simply glue in place.





15) Attach level 1 to the base. Arrange the assembled level 1 to the base so that the rear corner connectors are even with the back of the base.

With a pencil trace the outline of the walls on the base.

Next, remove the wall structure and apply white glue liberally to the base within the pencil outline.

Re-assemble the wall structure onto the floor over the glue track and then place the plywood middle floor on top of the walls.

Place books or other weights on the floor and allow the glue at the base to dry.

16) After the first level has dried the second level can be installed.

Apply a bead of glue all along the top of the clapboard wall sections of level 1.

Place a plywood top floor (good side up) over the first level wall sections. Refer to Figure 10.

If desired the installation of this floor can be further secured by nailing the floor to the 1st level corner connectors.

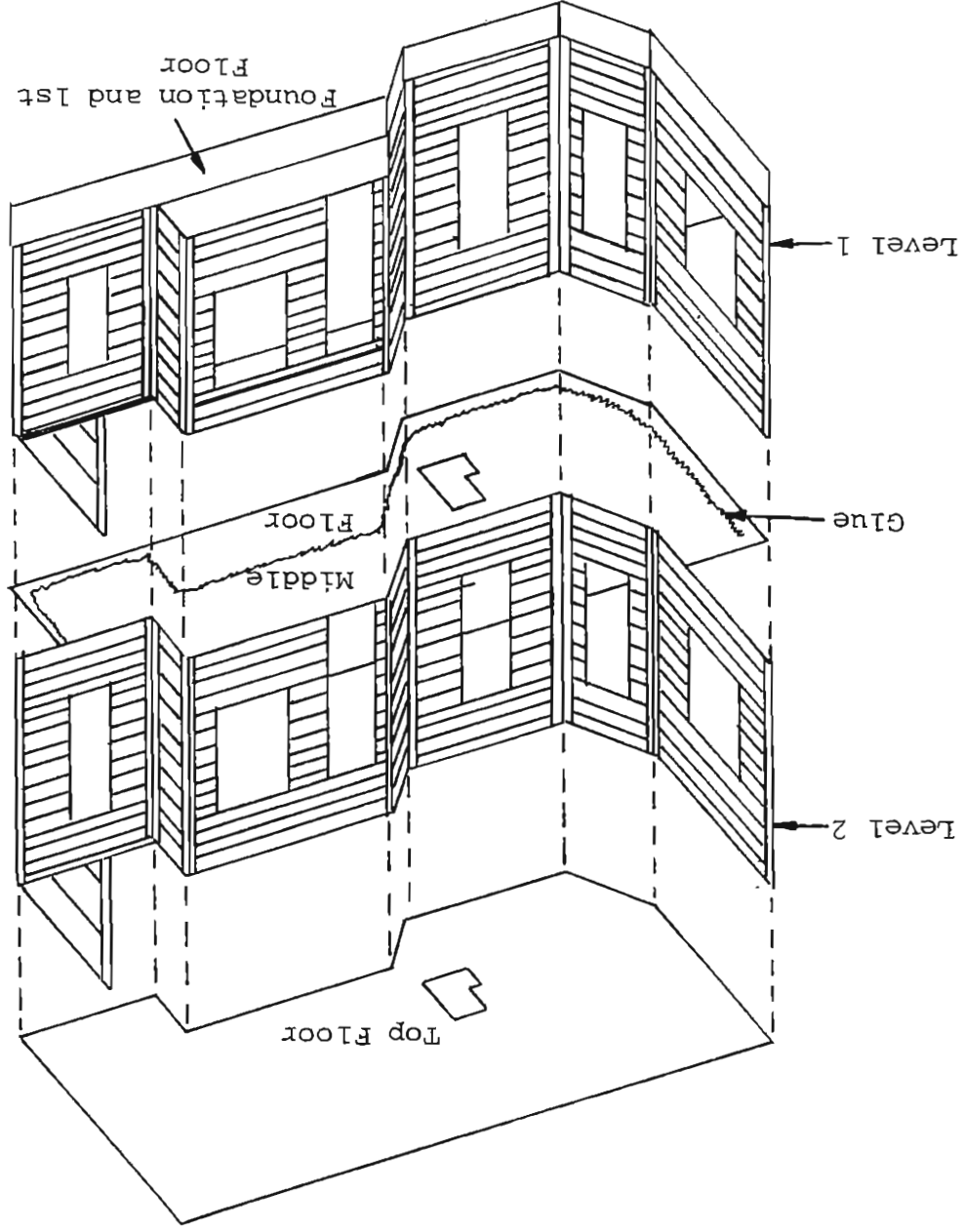


FIGURE 10

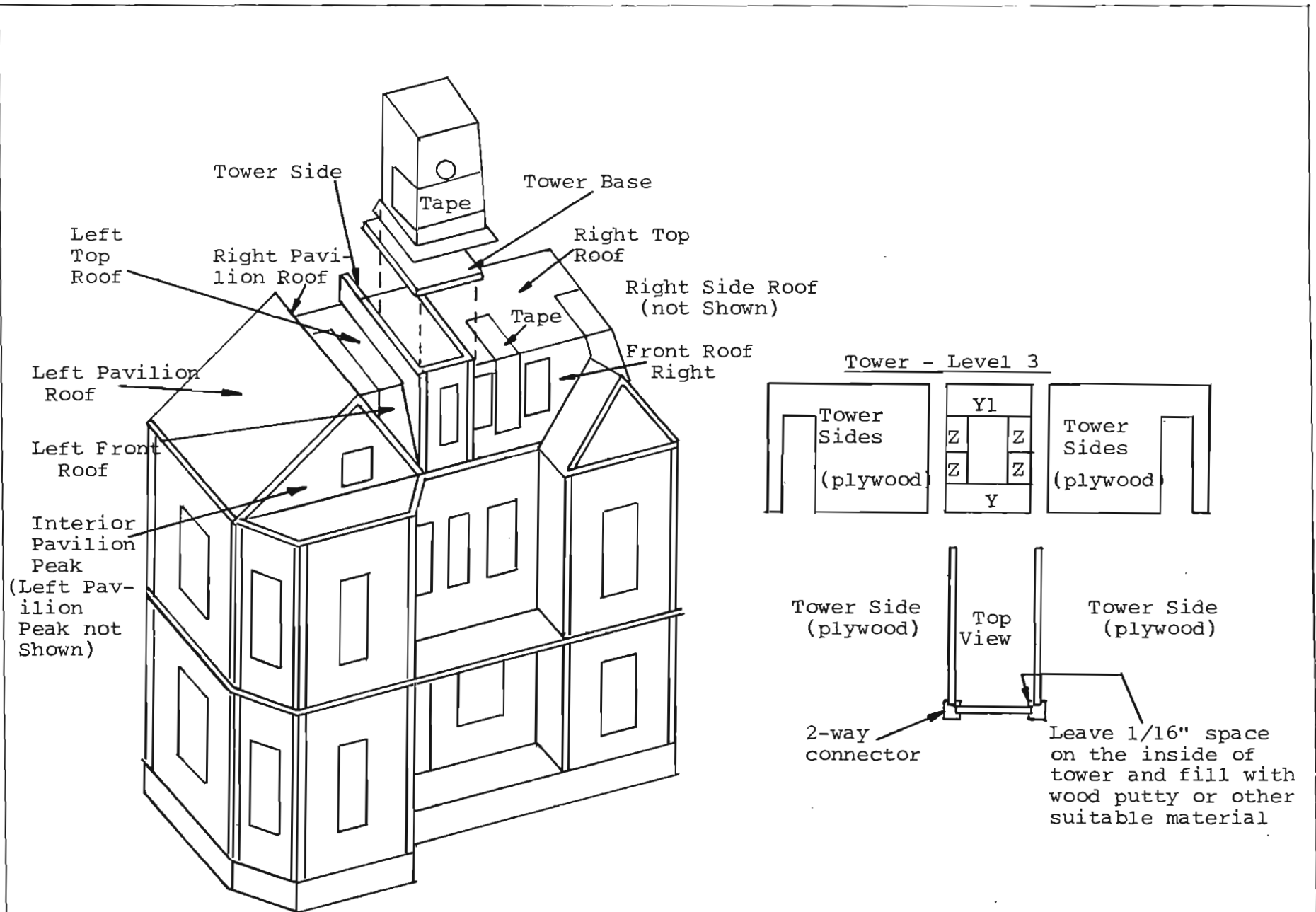


FIGURE 11

17) Install the level 2 clapboard siding sections repeating the procedure for level 1 outlined in section 15. Refer to figure 10.

18) Repeat procedure of step 16 for the top floor.

19) Assemble the tower front using the procedures outlined in previous sections.

Refer to Figure 11 and assemble tower front and tower sides accordingly.

Glue the corner connectors into position and interlock the wall sections together. Assemble the completed tower wall sections to the top floor and glue into position as in step 15.

20) The dormer sides should be assembled to the front roof section prior to roof assembly to facilitate installation. See Figure 12.

21) Select the front roof section from your kit using Figure 1 as a guide.

22) Glue the dormer unit to the roof as shown in Figure 12.

23) You are now ready to assemble the roof to the dollhouse.

24) Starting first with left pavilion roof, right pavilion roof, interior pavilion peak and the exterior pavilion peak. Refer to Figure 1 to identify parts.

Glue all four together simultaneously as shown in Figure 11.

All roof pieces should be flush to the back of the top floor.

Note: Interior pavilion peak should be recessed back approximately 4" from pavilion roof, and exterior pavilion peak should be recessed back approximately 5/8".

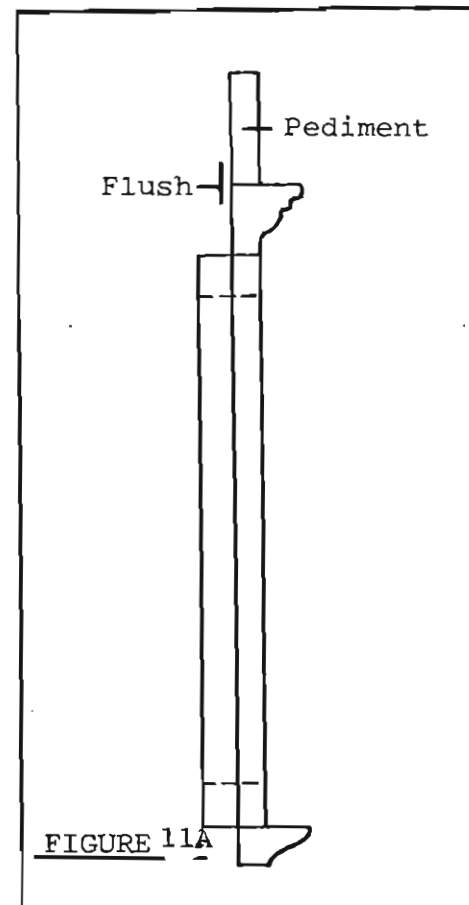
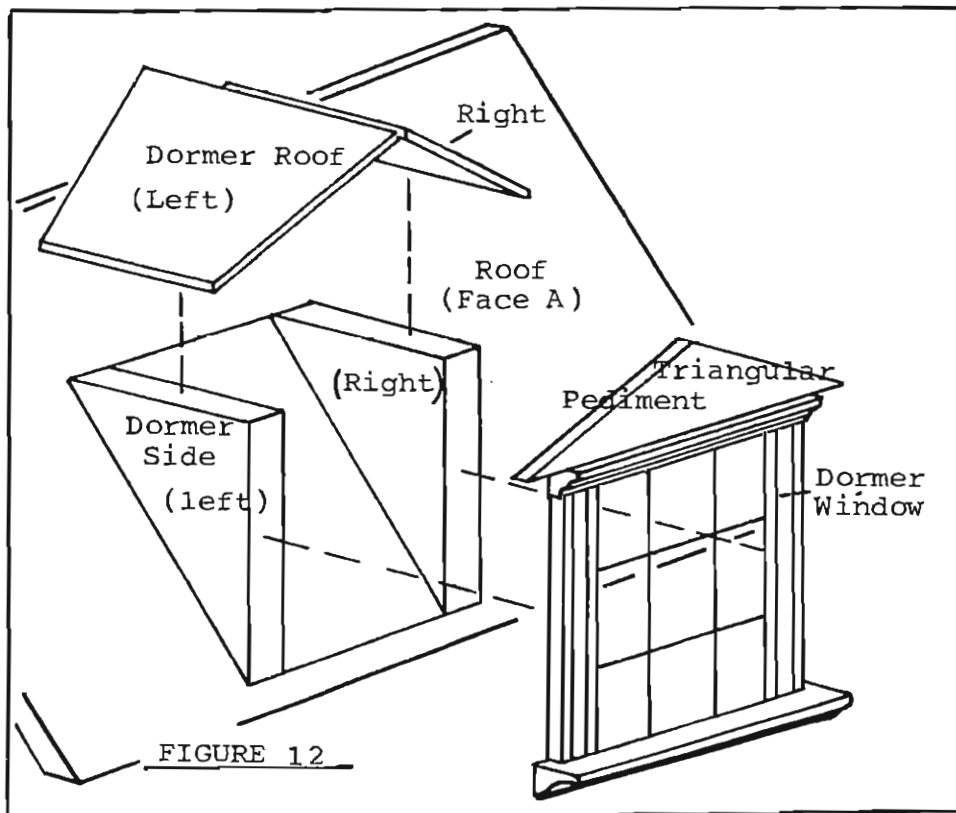
Use masking tape to hold pieces in place while glue is drying.

First glue the triangular supports to the top of the dormer windows.

Next, glue the dormer sides to the front roofs as shown in Figure

After the dormer sides have dried, glue the window into position as shown in Figure Then, simultaneously, glue the dormer roofs into position. Be sure to position the roofs in place as per Figure

Tape the dormer roofs into position and allow the glue to dry.



- 25) Now assemble and glue left front roof to the right pavilion roof, Figure 1 and 11.

Note: The edge of the left front roof rests on top of the right pavilion roof and against the tower side. Refer to Figure 11.

- 26) The left top roof beveled edge rests against the right pavilion roof and the left tower side. Glue and tape into position.
- 27) Next assemble and glue right front roof, right side roof and right side top roof.

Be sure to wipe off all excess glue before it is set up and that all roof pieces are flush to the back of the 3rd floor.

The top roofs should be lightly weighted down to assure good adhesion.

- 28) The right pavilion peak and the left and right roofs should be assembled and positioned according to Figure 11.
- 29) Using the same procedures previously discussed glue the tower roof into place. Refer to Figure 13.
- 30) The basic structure is now complete and all that remains is to add the decorative trim; windows, doors, stairs, and room dividers.

TOWER ASSEMBLY

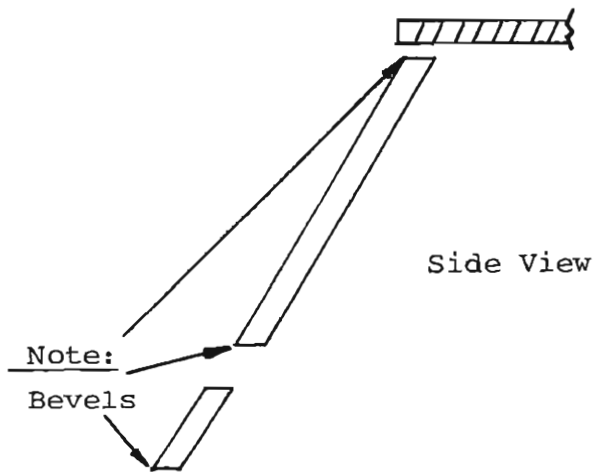
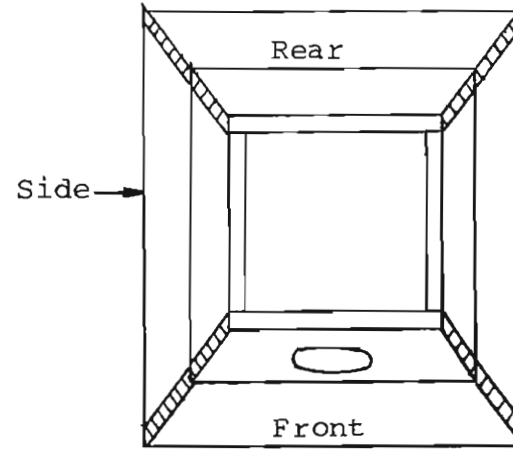
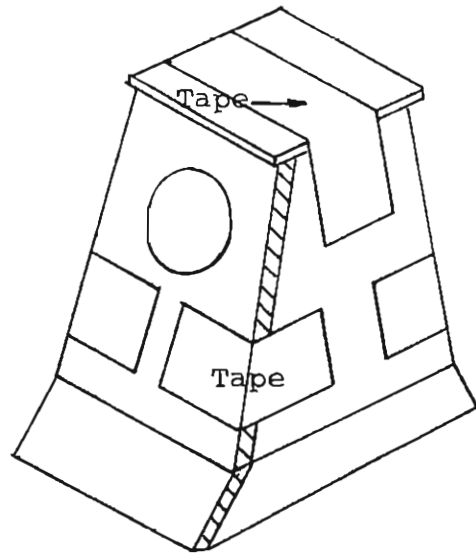
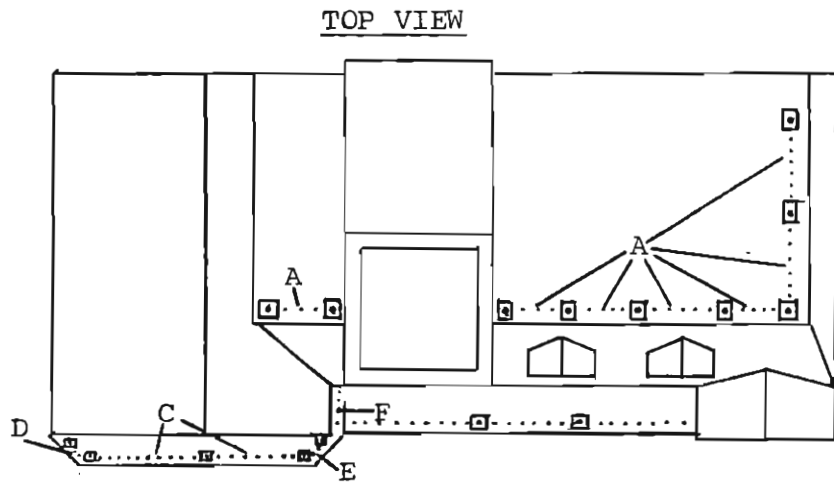


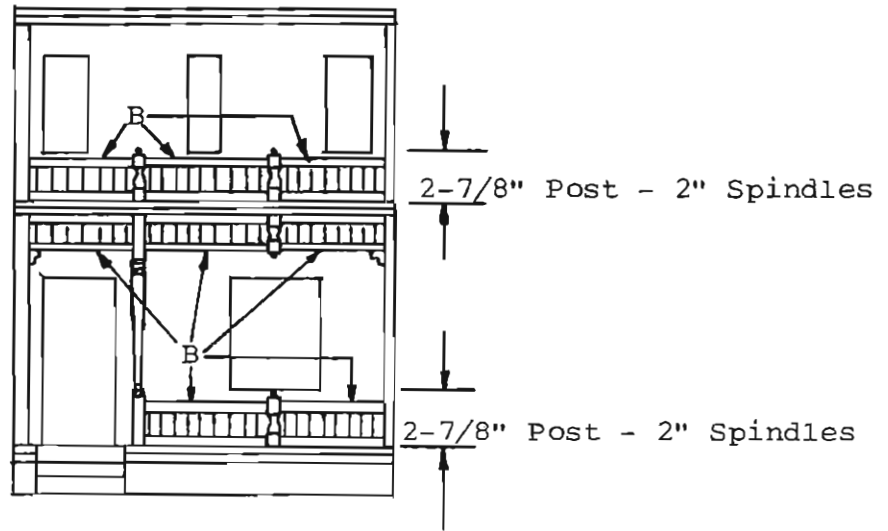
FIGURE 13

31) The porch railings should now be made up using the illustrations in Figure 14 and 15 as guides. Use Figure 14 to identify the length of railings to use and the number of 1/8" spindles or posts to install.



| <u>Section</u> | <u>Qty.</u> | <u>Spindles</u> | <u>Length</u> |
|----------------|-------------|-----------------|---------------|
| A | 7 | 10 | 5-3/8" |
| B | 8 | 12 | 6-1/2" |
| C | 2 | 9 | 4-3/8" |
| *D | 1 | 6 | 3-1/2" |
| *E | 1 | 7 | 4" |
| F | 1 | 6 | 3-9/16" |

* cut on 45° angle



Front View

FIGURE 14

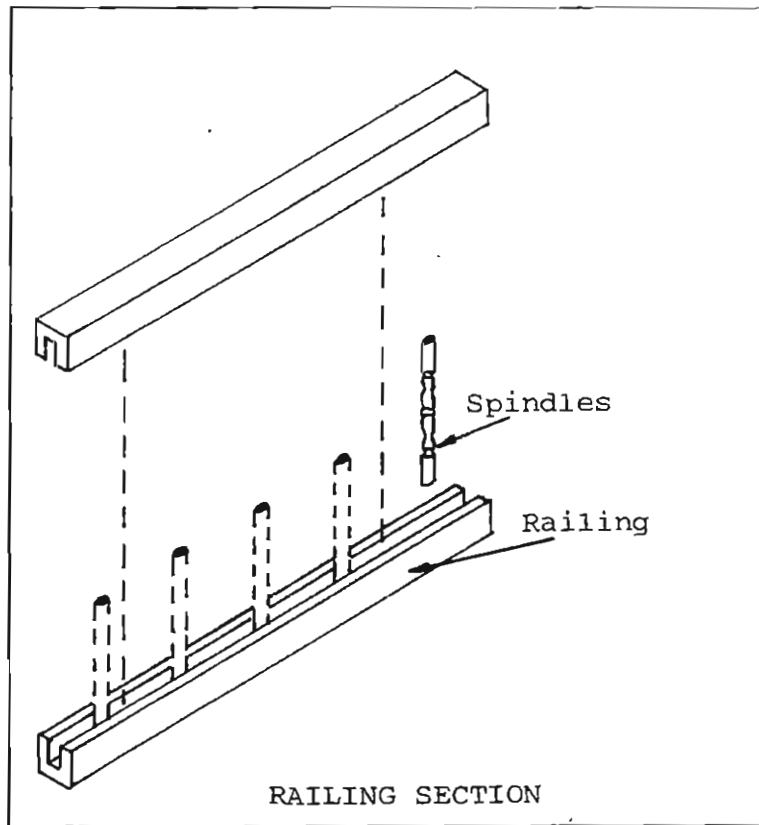


FIGURE 15

- 32) Apply a dab of glue to the bottom of each spindle and install as shown in Figure 15. Use approximately $\frac{1}{2}$ inch spacing between spindles and keep the spacing uniform.

Be sure all spindles are perfectly upright and perpendicular.

Install the top railing only after the spindles have dried.

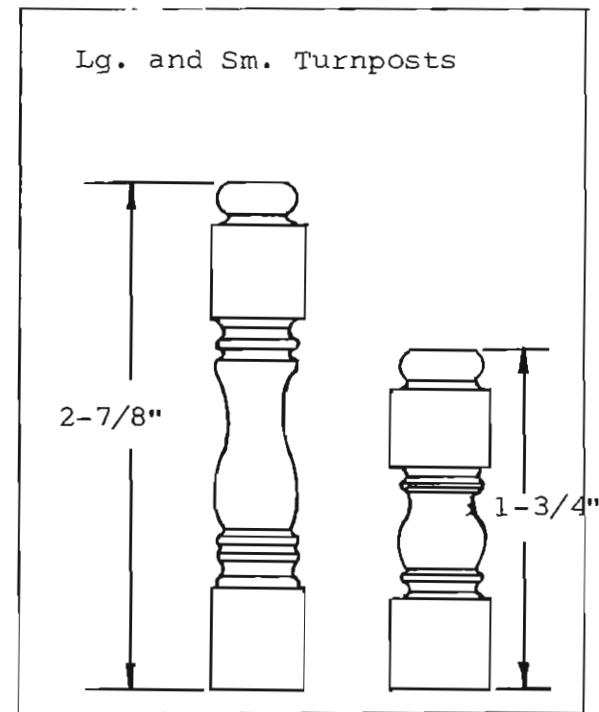


FIGURE 16

Notes

- 33) After all the railing sets have been completed install them into position on the dollhouse.

Use Figure 14 for correct orientation. The turnposts are installed by merely applying a dab of glue to the bottom of each post.

- 34) Install eaves brackets as shown in Figure 19 on page 25.

Note: Also refer to the photograph on the first page, and Figure 19 to aid you in locating the proper positioning for all the trim.

- 35) Next, install the edge nosing as shown in Figure 17 and 18.

- 36) The edge nosing is designed to cover the end grain of the plywood floors and to overhang down below the floors. This will cover up any space between the floor and the clapboard siding.

The edge nosing should be glued into position so that the top of the nosing is flush with the floor as shown in Figure 18.

Note: Always start gluing at the back edge of the dollhouse and work your way across the front to the other end of the house.

EDGE NOSING INSTALLATION

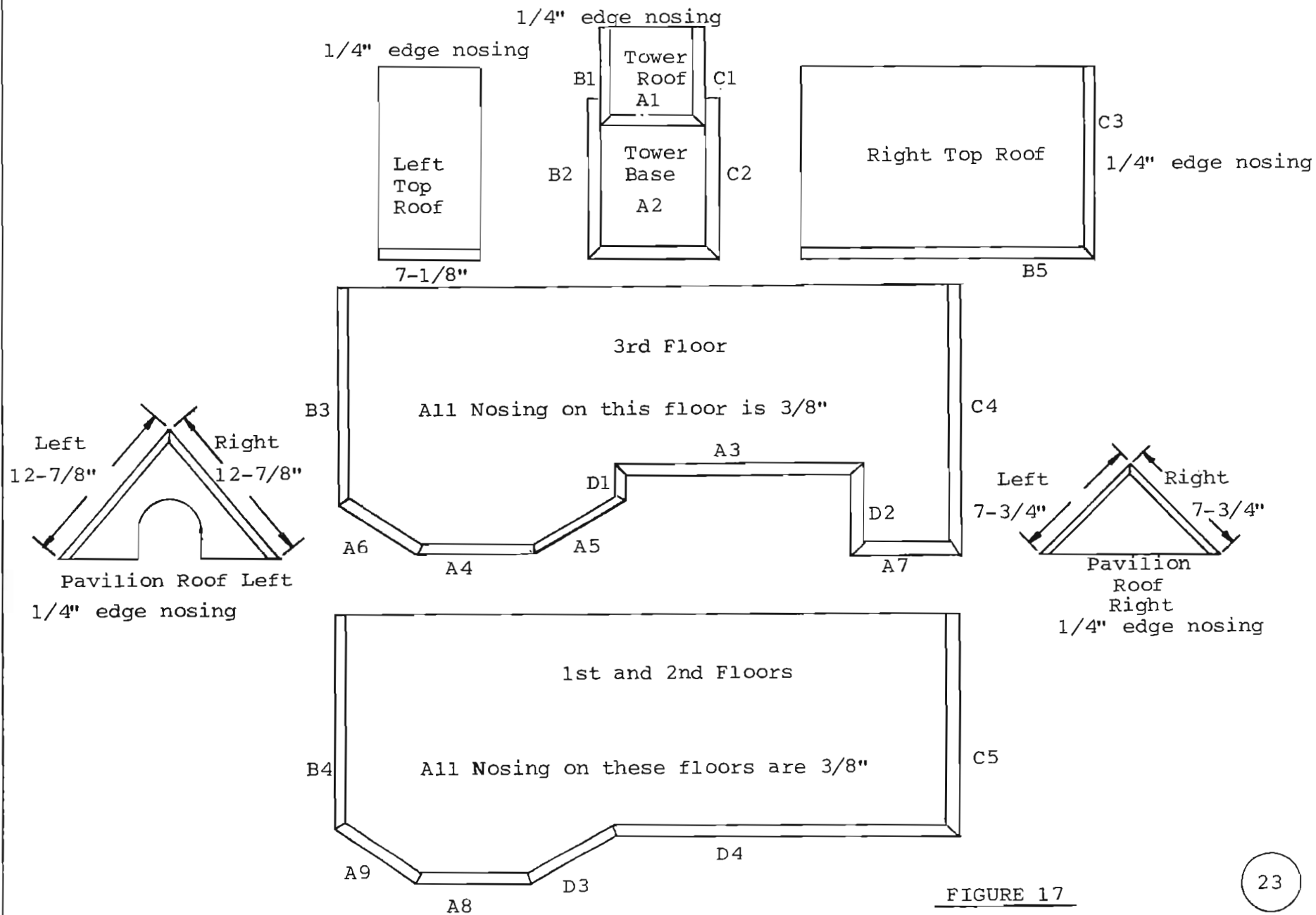
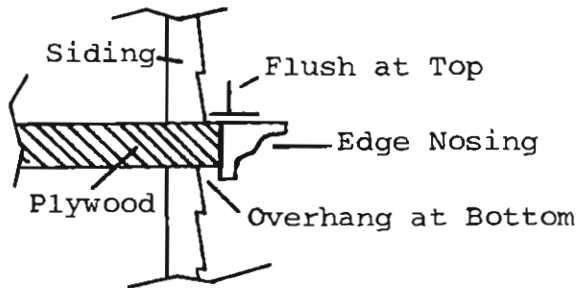
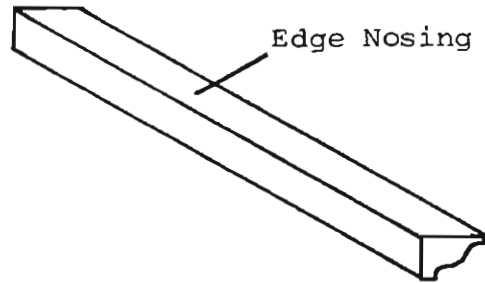


FIGURE 17



A/E

| | | | |
|----|---------|----|---------|
| A1 | 3-1/4" | A6 | 5-3/4" |
| A2 | 6-1/2" | A7 | 12-3/4" |
| A3 | 19-1/4" | A8 | 11" |
| A4 | 11" | A9 | 5-3/4" |
| A5 | 5-3/4" | | |

B

| | | | |
|----|---------|----|---------|
| B1 | 3-1/2" | B4 | 20-3/4" |
| B2 | 17-1/2" | B5 | 24-5/8" |
| B3 | 20-3/4" | | |

C

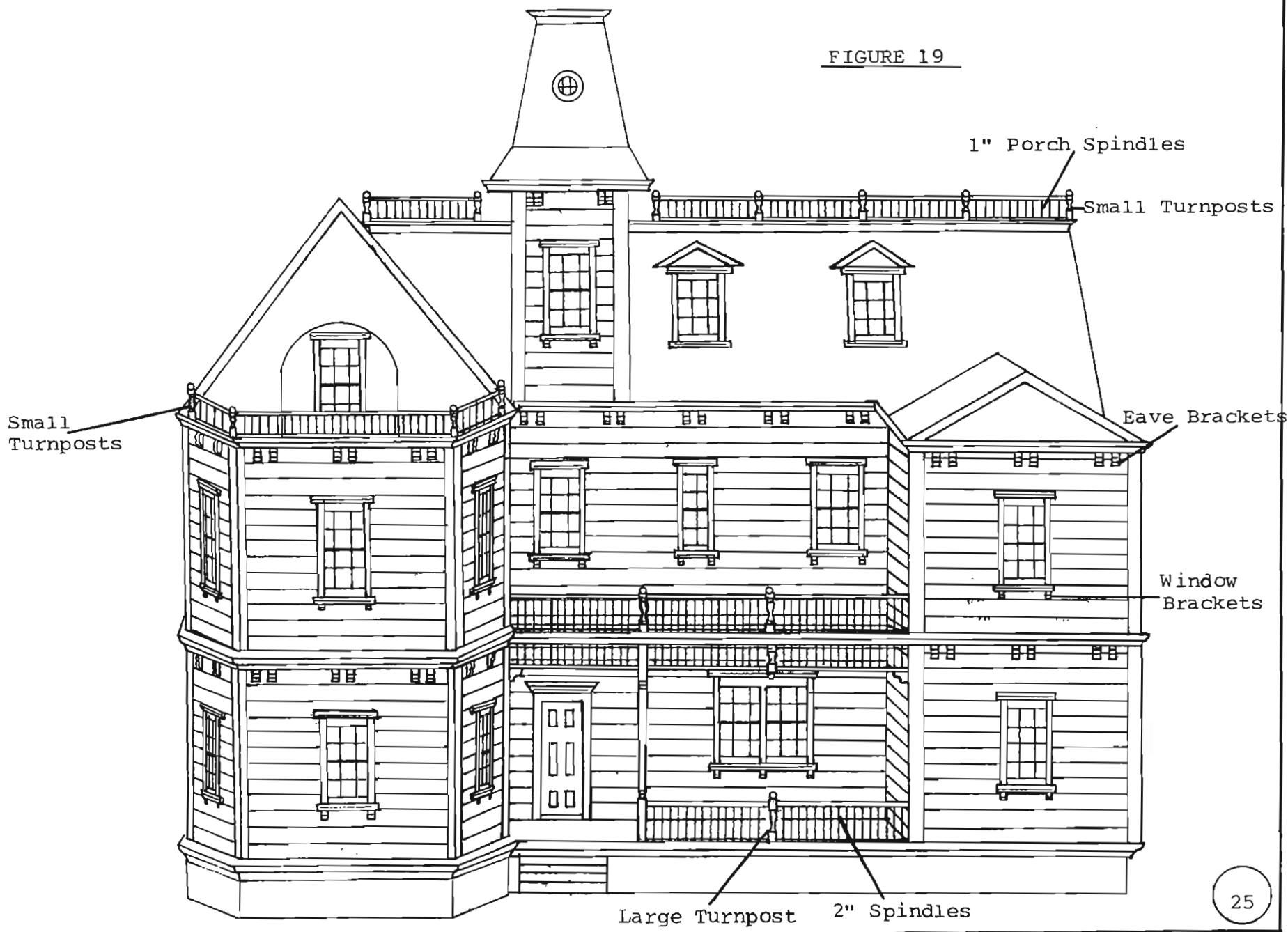
| | | | |
|----|---------|----|---------|
| C1 | 3-1/2" | C4 | 20-3/4" |
| C2 | 17-1/2" | C5 | 20-3/4" |
| C3 | 13-1/4" | | |

D

| | |
|----|---------|
| D1 | 3-1/2" |
| D2 | 3-1/2" |
| D3 | 5-1/4" |
| D4 | 31-5/8" |

FIGURE 18

FIGURE 19



- 37) The circular window and plexi-glass are merely glued into place and positioned into the tower.
- 38) Assemble the 9 large windows and 6 narrow windows, using the special window assembly instructions on pages 27, 28, 29.
- 39) The tongues at the bottom of the window opening have to be sanded or filed down in order for the windows to fit properly.
- 40) Assemble the bay window and double window unit using special assembly instruction section on pages 30, 31, 32, 33.
- 41) Use pages 34 and 35 as guides for assembling and installing interior and exterior staircases.

42) Assemble the door using the special door assembly instruction section on pages 36 and 37.

43) Page 38 illustrates suggested room layout, however room partitions may be positioned according to your preferences.

The partitions can be installed into the house and glued into place of desired. Weight down if necessary.

44) Wood shingles provided are enough to cover all roof surfaces except the left and right top roof, and interior pavilion peak.

STANDARD WINDOW ASSEMBLY

The standard Batrie window kit and the smaller dormer window kit are assembled according to the following procedure:

- a) Identify and arrange the parts in the kit using the assembly diagram as an aid. Be sure of parts orientation before gluing.
- b) Put a dab of glue on both sides of the header and sill.

Refer to the Assembly Diagram.
- c) The plastic window is inserted into the grooves on the vertical stiles, header, and sill and pushed into position as shown in the Assembly Diagram.
- d) Slide the window over the edge of the table and wrap one end with an elastic band. As shown in the Assembly Diagram.

Carefully turn the window around and wrap an elastic band around the other end.

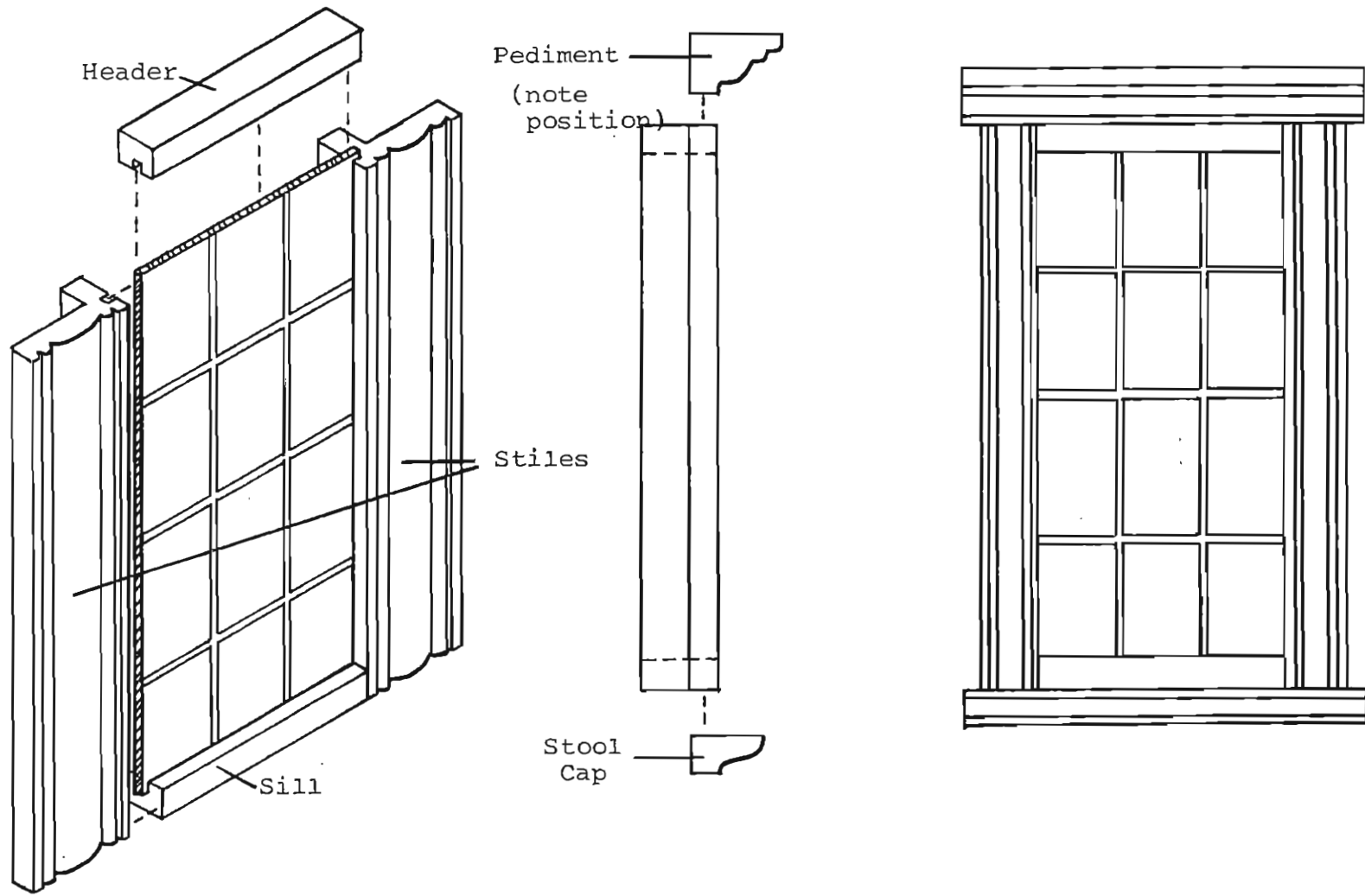
Check to see that the window is square at the corners, and the header and sill flush at the top and bottom.

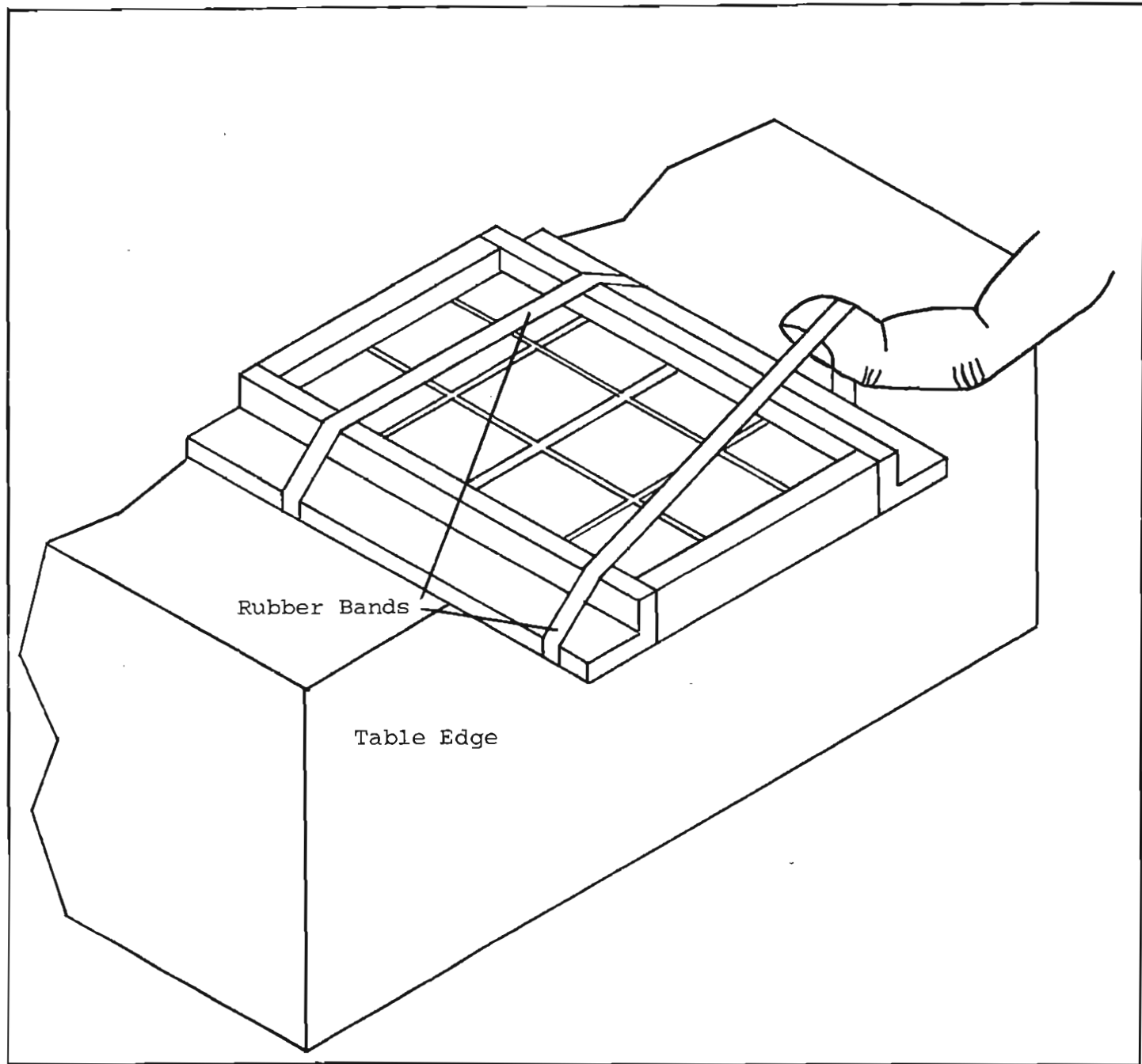
- e) Let the glue dry and then assemble the decorative pediment and stool cap, if required, as shown in the Assembly Diagram.

NOTE: These parts are not glued flush to the rear of the window frame and should be installed as shown in the Assembly Diagram.

- f) Tape the pediment and stool cap, if required, into position with an equal overhang at each side of the window frame.
- g) Allow the window unit to dry thoroughly before using.
- h) If too tight during assembly sand or file the corners to fit.

WINDOW ASSEMBLY DIAGRAM





BAY WINDOW ASSEMBLY
&
DOUBLE WINDOW ASSEMBLY

The standard Batrie bay window kit and side-by-side double window kit are assembled according to the following procedure:

- a) Identify and arrange the parts in the kits using the Assembly Diagram as an aid. Be sure of parts orientation before gluing.

The cap and stand-offs are required only for the bay window.

- b) Assemble all parts on a flat surface and dry fit.
- c) Apply a dab of white glue to the ends of the stiles, sills & center post
- d) Insert the plastic window into the grooves of the stiles, sills & center post
- e) Install the pediment and stool as shown in the Assembly Diagram.

Check the end-view diagram to be sure that the pediment and stool cap parts are positioned with the proper recesses.

- f) Hold everything together for several minutes to allow the glue to set-up then leave the window alone until the glue has completely dried.
- g) The side-by-side double window can be installed directly into the opening after the glue had dried.

Refer to Installation Diagram.

Be sure that the tongue at the bottom of the window opening has been removed (sand, file or cut out).

- h) Before the bay window can be installed the bay stand-offs have to be glued to the exterior of the house around the window opening.

Refer to the Assembly and Installation Diagrams.

- i) The vertical stand-offs are installed flush with the window opening at the top. The (2) vertical stand-offs are the longest of the (7) plywood stand-offs or spacers included in your kit.

j) The bottom stand-off is installed flush with the bottom of the window opening. The bottom stand-off is the same size as the (2) inside horizontal spacers.

k) After the stand-offs have dried the double window unit is installed into position.

Be sure the tongue at the bottom of the window opening has been removed.

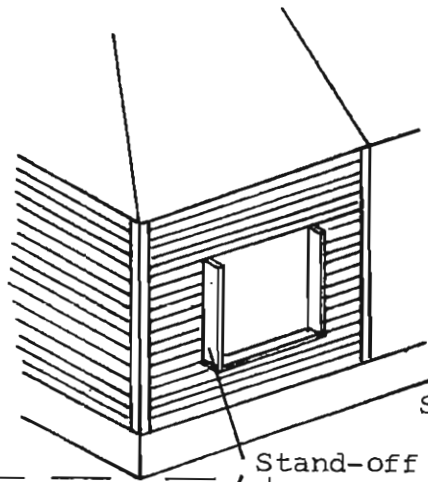
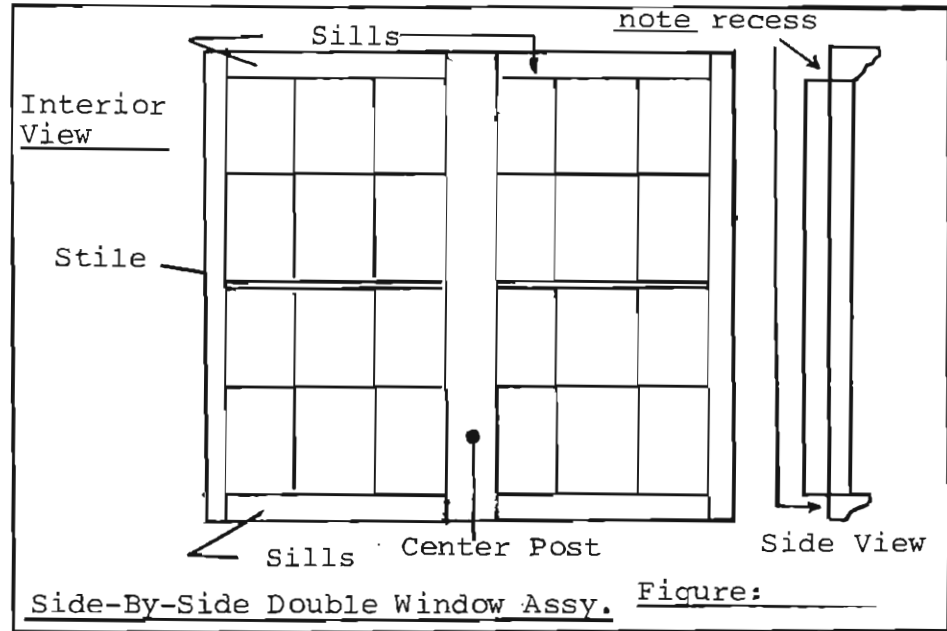
l) Glue the cap into position over the pediment as shown in the Assembly Diagram.

m) From the inside install the horizontal 1/4" plywood spacers over and at bottom of window as shown in the Installation Diagram.

n) Again, from the inside, install two vertical spacers or casings at the left and right sides to cover the end-grains of the clapboard walls.

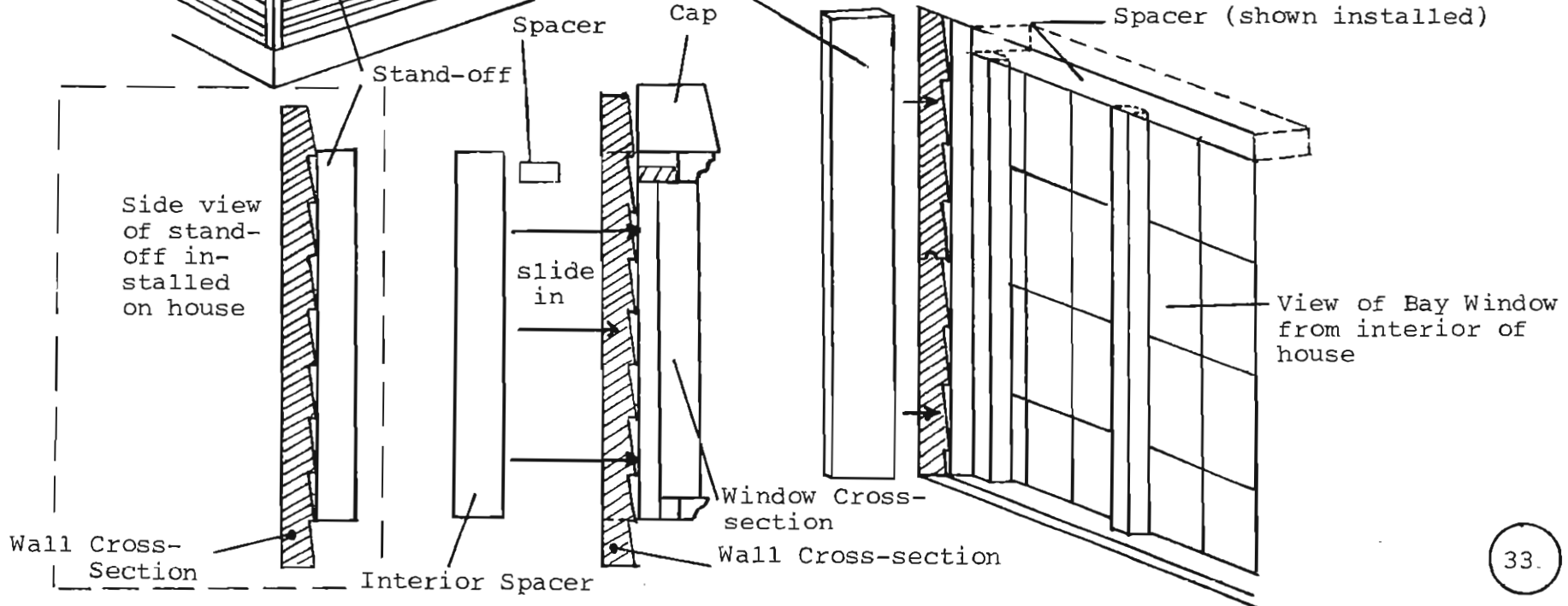
INSTALLATION DIAGRAM

BAY & DOUBLE WINDOW

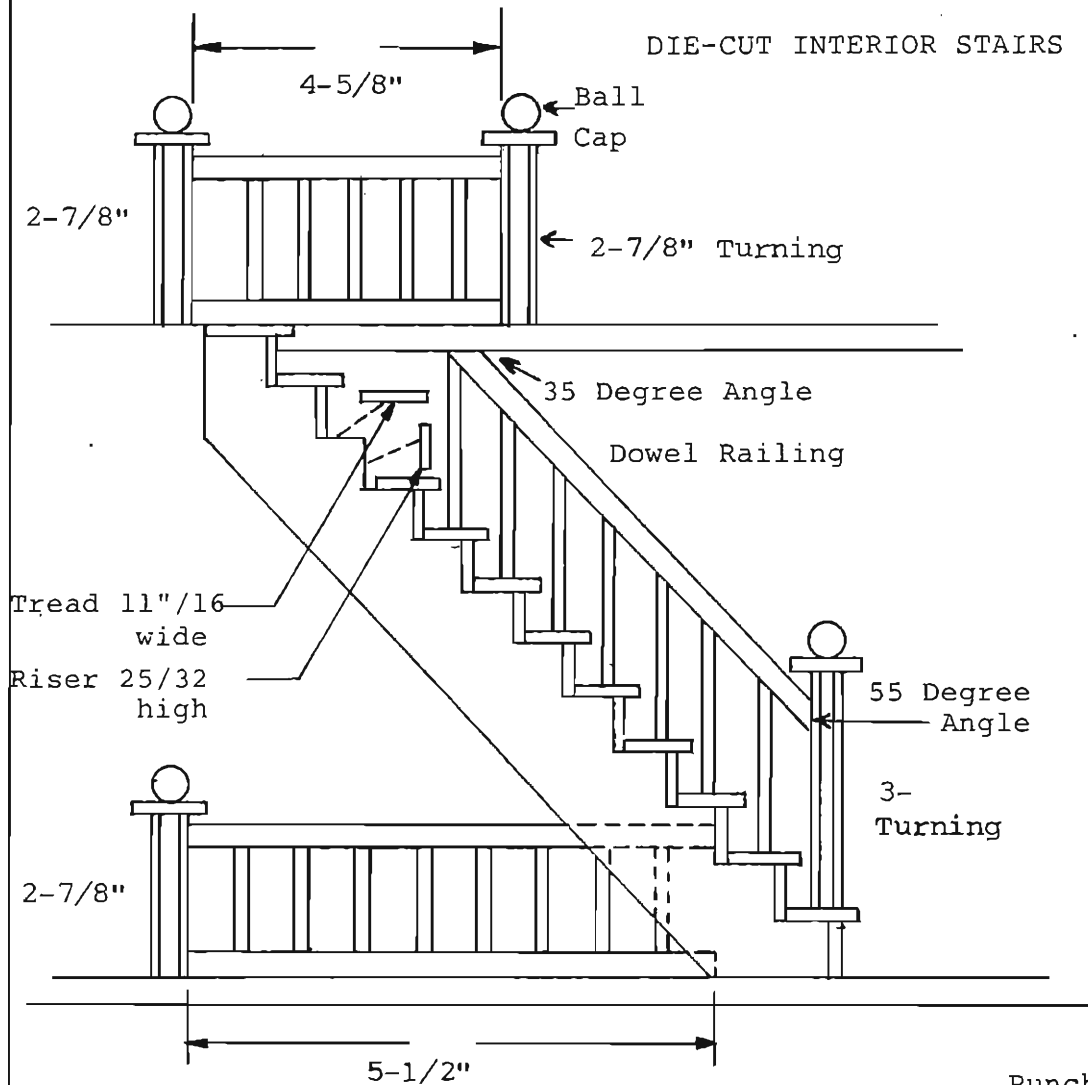


Interior Spacer

Horizontal Spacer (shown installed)

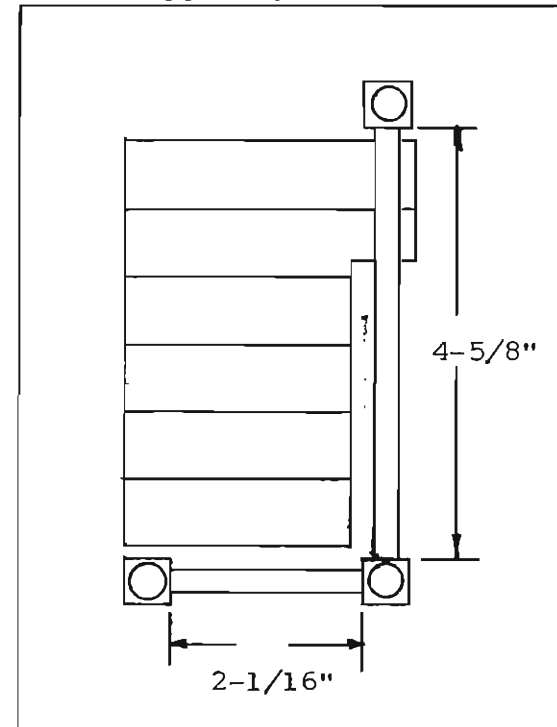


DIE-CUT INTERIOR STAIRS



Note: Diagram depicts a square post when it is actually a wood turning. Refer to picture of dollhouse on the front cover.

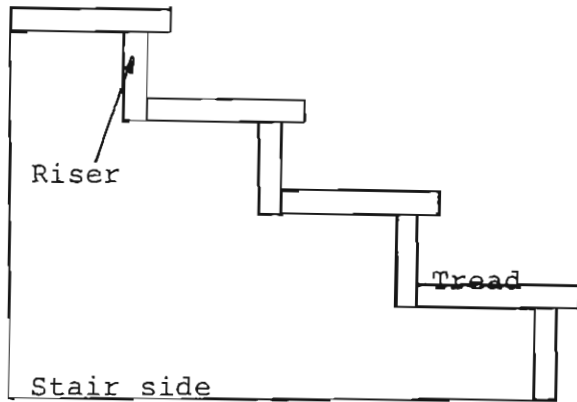
Top View Stairwell 3rd Floor



Use 2-3/4" dowels for stair railing spindles, and use 2" dowels for stairwell railings.

Punch out all pieces carefully from front to back. (where the cut marks are clearly visible) Due to the nature of die-cutting occasional sanding, filing, or cutting may be necessary to insure perfect fit. (Extra parts are provided)

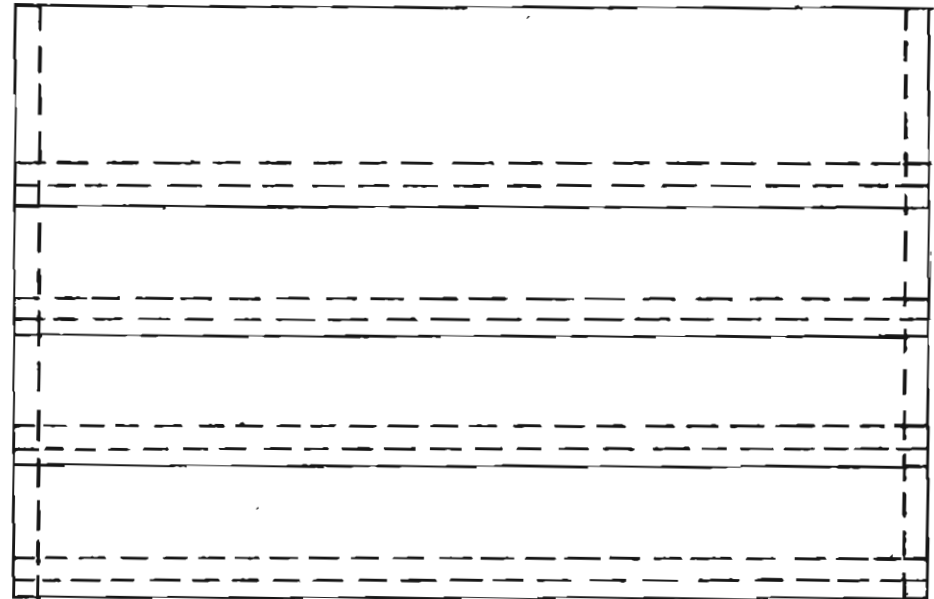
DIE-CUT EXTERIOR STAIRS



SIDE VIEW

Note: Edge nosing on 1st floor can be cut away in order to flush mount stairs.

TOP VIEW



Punch out all pieces carefully from front to back. (Where the cut marks are clearly visible) Due to the nature of die cutting occasional sanding, filing, or cutting may be necessary to insure perfect fit. (Extra parts are provided)

FRONT DOOR ASSEMBLY

Assembly instructions for the standard Batrie door.

a) Refer to the Assembly Diagram and identify and arrange the door parts.

b) Apply glue to each end of both the header and threshold.

Check parts orientation before gluing.

NOTE: The pre-drilled hole in the header and threshold should be at the right side.

c) Assemble the parts as shown in the Diagram and wrap securely with elastic bands around each end of the frame.

Check to see that the door frame is secure and the header and threshold flush with the sides of the frame.

d) After the glue has dried, install the door.

The door has a beveled edge, the beveled edge is the "hinge" on right side and permits easy opening and closing.

e) Using the nails provided in the hardware kit push the shorter nail through the hole in the threshold and into the door.

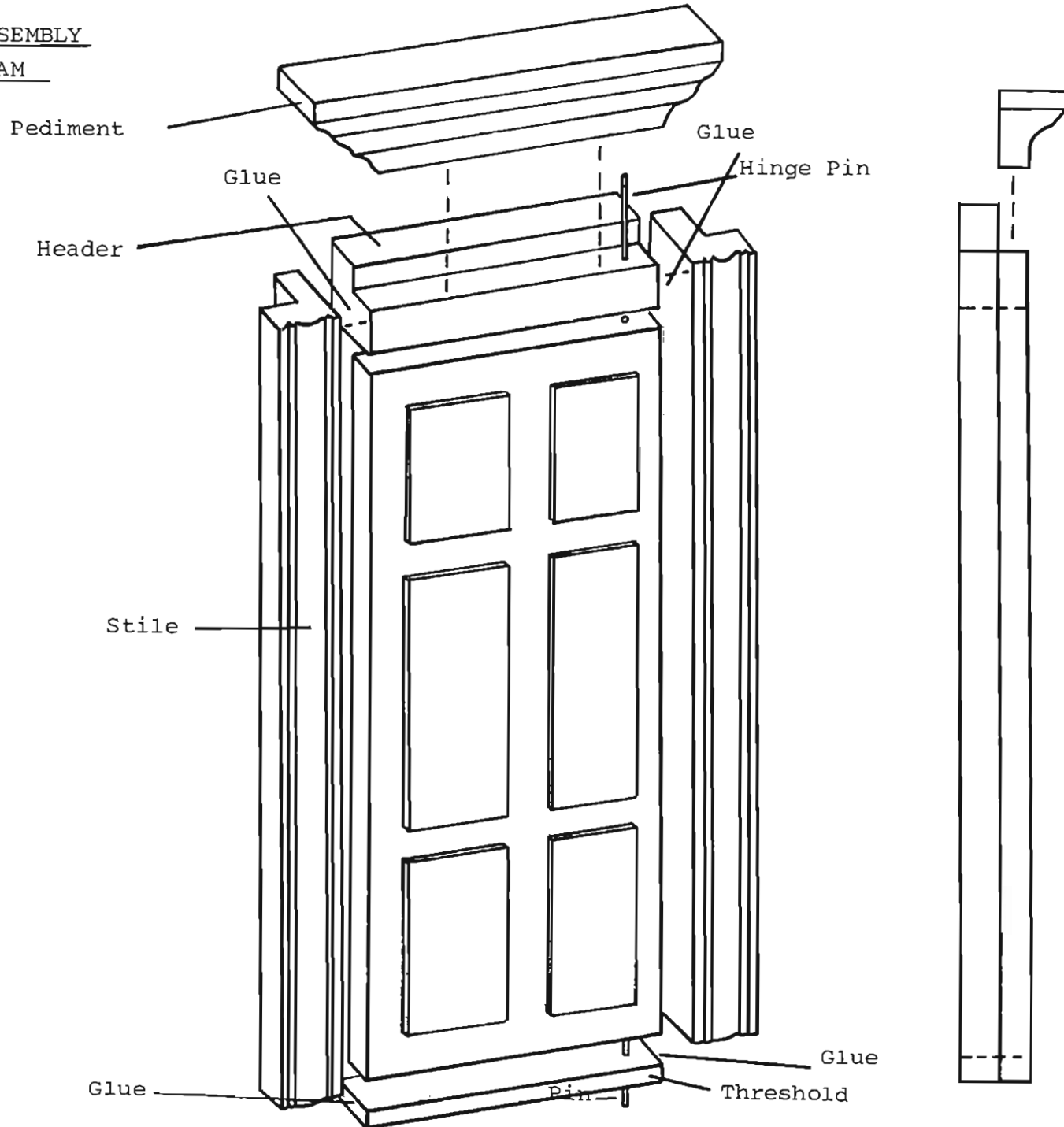
The longer nail goes through the header.

NOTE: Be sure to center the nails to avoid splitting the door.

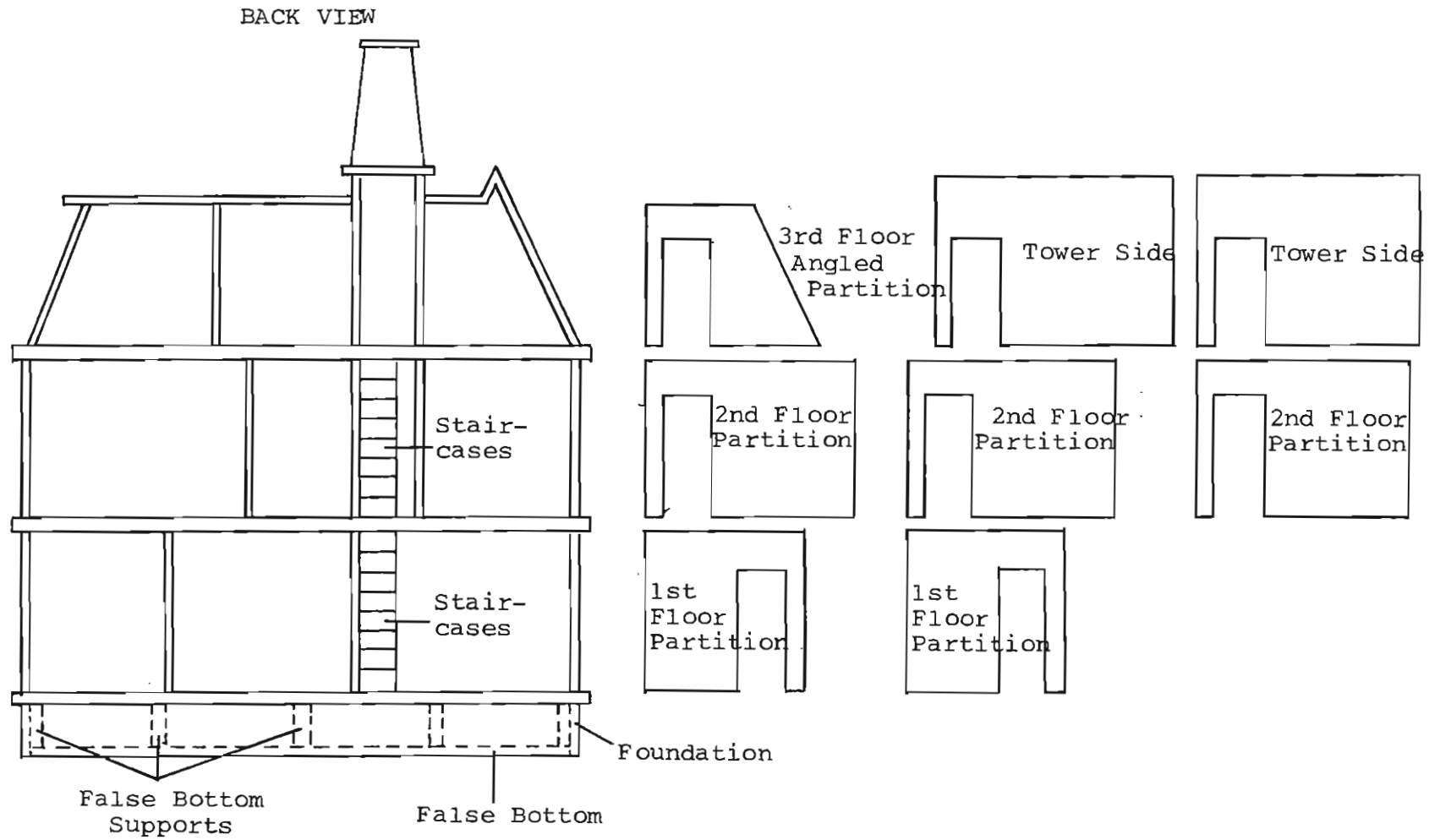
f) Finally, glue the decorative door pediment, if required, into place as shown in the Assembly Diagram.

g) If too tight during assembly, sand or file the corners to fit.

DOOR ASSEMBLY
DIAGRAM



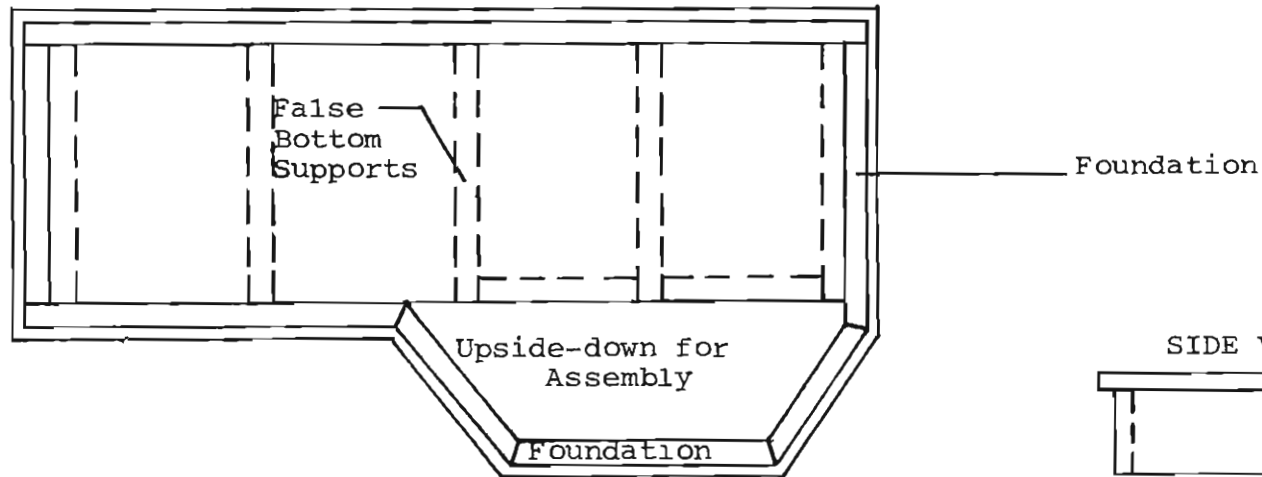
SUGGESTED ROOM LAYOUT



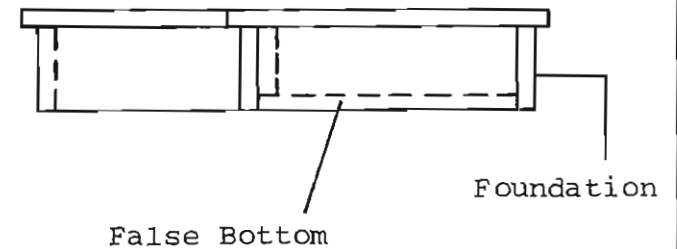
FALSE BOTTOM ASSEMBLY

The False Bottom allows for easy turntable (T-10C) mounting and also provides an excellent hidden space for electrical wiring.

Top View (Floor Upside-Down)



SIDE VIEW (From Right Side)



About Batrie Dollhouses

Batrie Dollhouses is one of the nations largest manufacturers of scale-model dollhouses.

From Federalist to Victorian, we offer a wide selection of additional styles and sizes.

In addition to our complete line of dollhouses, we also offer an extensive selection of windows, doors, architectural moldings, and room display boxes.

See your local dealer (or send for the name of your nearest dealer) for information on these additional Batrie Dollhouse miniature items.

We hope you enjoy your new Batrie dollhouse!

Write: BATRIE DOLLHOUSES
 P.O. Box A
 970 Fellsway
 Medford, MA. 02155

Caution: Store your dollhouse in a room where temperature and humidity remain fairly constant. Extreme atmospheric changes such as high humidity or very dry conditions can cause severe warping or splitting!