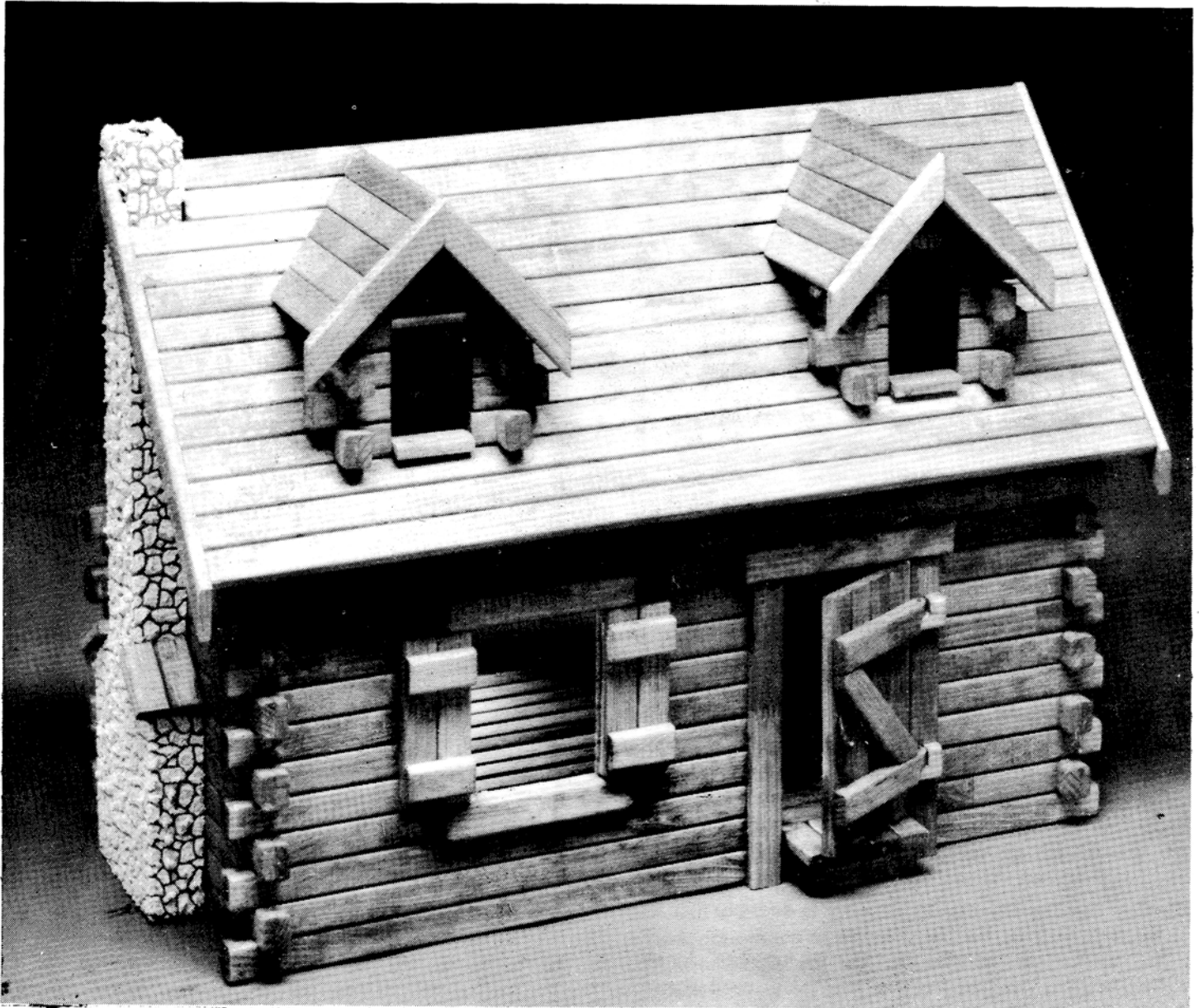


OREGON TRAIL

OR 177 MINIATURE HOUSE KIT
ASSEMBLY INSTRUCTIONS



FINISHED SIZE: 19"H x 27"W x 17"D

SCALE: 1"=1'

Dura-Craft, Inc.™

P. O. Box 459
Newberg, OR 97132
(503) 538-3136

COPYRIGHT 1995

6-20-95

PATENTS PENDING

OR177 Oregon Trail

Assembly Instructions 6-20-95

Congratulations on selecting a miniature house kit manufactured by Dura-Craft, Inc., the leader in the industry. We pride ourselves in our high quality and workmanship. Each piece is graded and sorted at several different stages to ensure that you receive the finest quality.

READ BEFORE STARTING ASSEMBLY:

The following tips will help you avoid problems when you build your miniature house.

- 1. Save The Box** - The photo will be very helpful during assembly.
- 2. Read Instructions First** - Before beginning construction of your miniature, read through all instructions to get a feel for the assembly process and to gain familiarity with the parts.
- 3. Follow Instructions In Order**
- 4. Don't Force Pieces** - If you cannot release a part from its board with moderate pressure, carefully cut it loose with a utility knife. Always cut from the good side of the board where the cut lines are clearly visible.
- 5. We Will Replace Parts** - If any parts are missing or damaged, Dura-Craft, Inc. will quickly replace them at your request. Please write or call and give us the name and sheet number of the part or parts that you need. We have included a "Missing and Broken Parts Replacement Form" to assist you. It may save time to make missing or broken parts from scrap material.
- 6. Use Tacky Glue** - This glue helps hold parts in place while it dries and it dries clear. It can be found at most craft supply stores. Any white household glue or woodworking glue may be substituted if desired. Wipe away excess glue while it is still fresh.
- 7. Each Part Is Important** - Dura-Craft, Inc. has done everything possible to ensure that your kit will look good when it is complete. The final quality of your house will depend to some extent on the care you take in preparing each piece for assembly. Sanding is optional, but it will improve your house. It will also remove splinters from the edges of the parts which will help the parts fit better.

If ample time and care are used in construction and finishing, your house will be of heirloom quality, of which you will be justly proud.

NOTE: For shortages or broken parts write directly to Dura-Craft, Inc. for replacement, using the form on the last page of this manual.

INVENTORY LIST

Longframe- Label each part with masking tape and a pen.

Length	Quantity	Length	Quantity
25 1/2"	6	6"	37
24"	8	5"	40
22"	26	4 3/8"	9
19	5	4"	23
14 1/2"	12	3"	21
13 1/2"	6	2 1/2"	2
12 1/2"	19	2"	71
9 1/2"	12	1 3/4"	8
7 3/4"	2	1 1/2"	5
7"	9	1"	52
6 1/2"	4	5/8"	68

8 nails

1 diecut board-(Label each part with tape)

63" stone tape

9 oz stone mix

1 instructional video

SUGGESTED TOOLS

- Fine toothed saw (coping or hack)
- Tacky or wood glue
- Tape measure or ruler
- Medium sandpaper
- Pencil
- Paper cup
- Wax paper
- Framing square (optional but helpful)
- Masking tape
- Pliers

PRE-ASSEMBLIES- This section is for assembling components to be used in final assembly.

1. 1st Floor-

- Glue fifteen 22" long pieces using a framing square or corner of a table to ensure a square assembly with flush edges. Protect the work surface from glue by taping waxed paper on the table.
- Assemble with rounded side up for grooves in floor or flat side up for tight floor joints. See Figure 1.

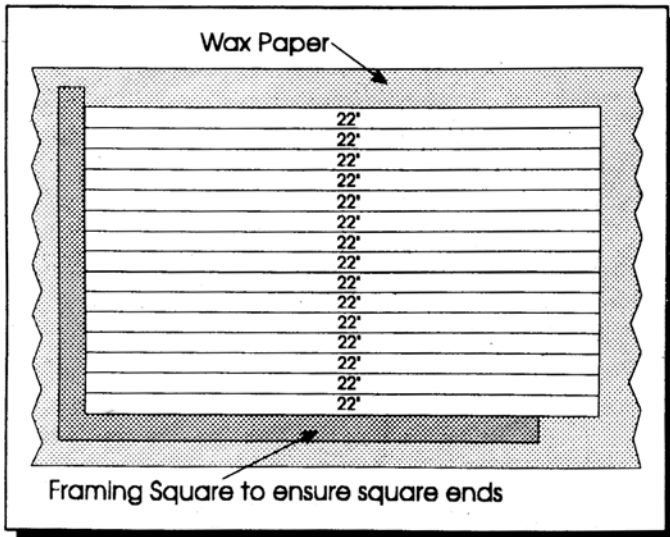


Figure 1- 1st Floor

2. 2nd Floor-

- Glue nine 22" and four 19" pieces together.
- Assemble with rounded side up for grooves in floor or flat side up for tight floor joints. See Figure 2.

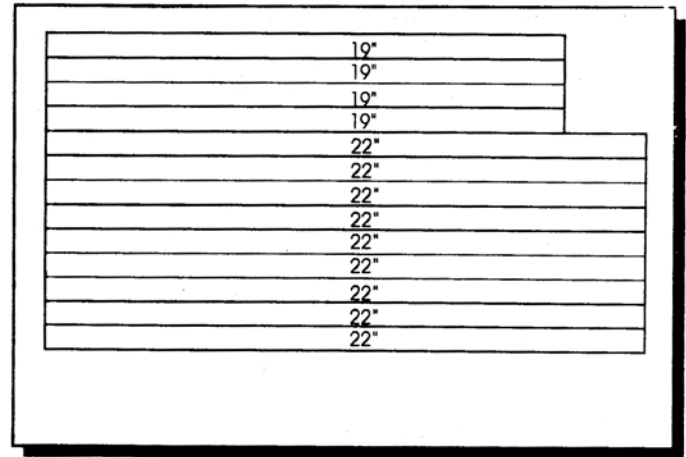


Figure 2- 2nd Floor

- Glue four 9 1/2" together in two sets for the 2nd Floor Support Beams (decorative). See Figure 3 for construction and Back View on label for positioning. Extend the ends of the assemblies approximately 3/4" past the back edge of the 2nd Floor.

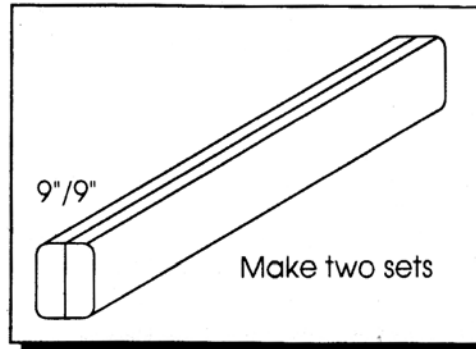


Figure 3- 2nd Floor Deco Support Beams

3. Right Side Wall-

- Glue six 14 1/2", six 12 1/2", five 6", eight 5", and one 1" piece together.
- Be sure to align the parts carefully so that there are 1" overhangs on the edges of the walls, the parts are centered, and the total assembly is square. A framing square is helpful, but the corner of a drawer or table top will work fine.
- Cut the tops of the walls to form the gables. Save the lower four-piece sections of the waste, these will be the Dormer Side Walls. There will be four of these after both side walls are cut (A,B,C and D). See Figure 4.

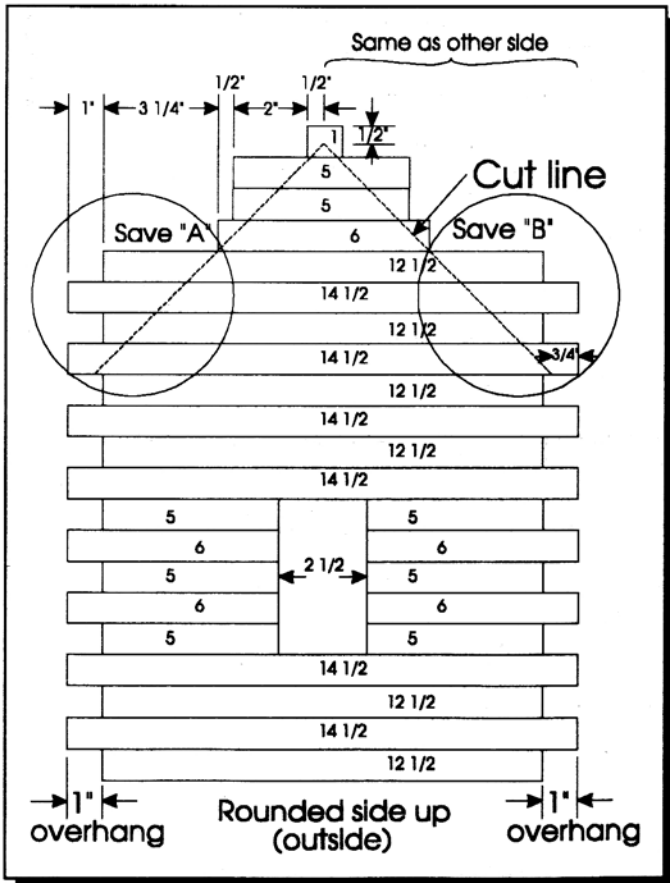


Figure 4- Right Side Wall

d. Glue an extra 12 1/2" piece to the inside bottom of the flat side for a 1st Floor Support and a 9 1/2" piece to the flat side (inside) of the eleventh piece from the bottom for a 2nd Floor Support as shown in Figure 5.

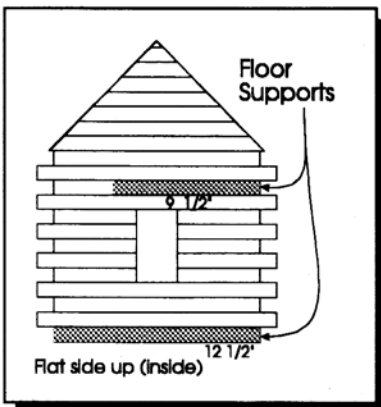


Figure 5- Right Side Wall Floor Supports

4. Left Side Wall-

- a. Glue five 14 1/2", seven 12 1/2", one 6", eight 5", four 4", and one 1" pieces together.
- b. Glue one 12 1/2" piece to the bottom of the flat side (inside) of the wall for the 1st Floor Support as shown, after the Dormer Walls have dried.

Cut 1/2" off of an additional 12 1/2" piece and glue it to the flat side of the eleventh piece from the bottom of the wall for the 2nd floor support as shown in Figure 6.

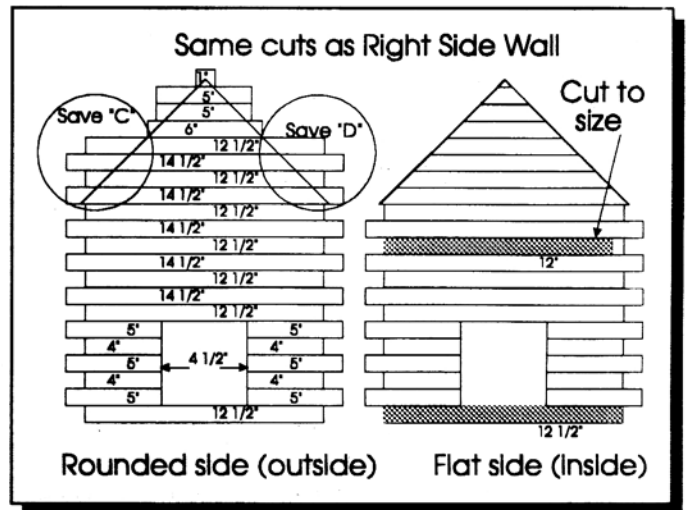


Figure 6- Left Side Wall

5. Front Wall-

- a. Glue three 24", two 22", one 14 1/2", two 13 1/2", seven 6", eleven 5" pieces together. See Figure 7.

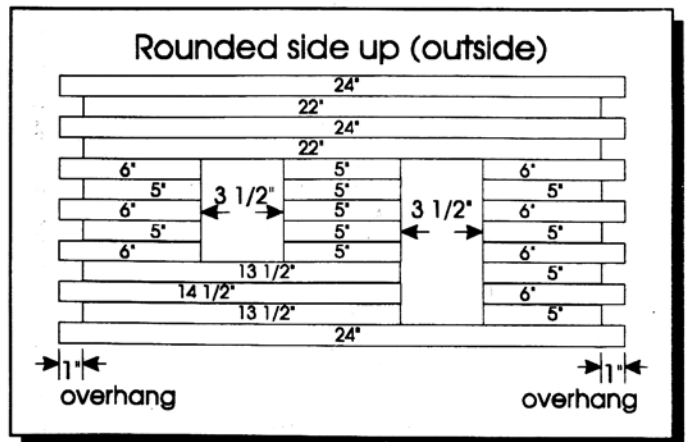


Figure 7- Front Wall

6. Front Roof-

- a. Glue five 25 1/2", two 24" six 9 1/2" and twelve 4" pieces together. See Figure 8.

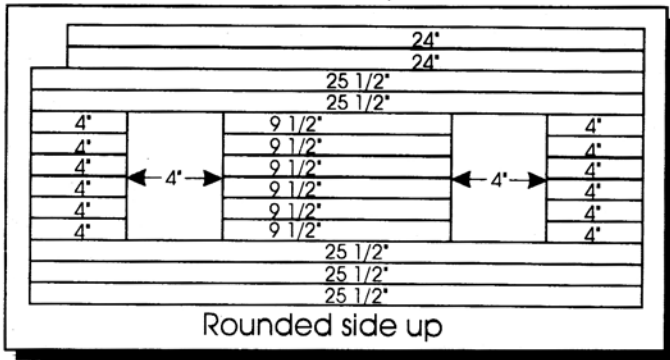


Figure 8- Front Roof

7. Back Walls-

a. Using twelve 2" and thirty four 1" pieces, make twelve 2"/1" sets, ten 1"/1" sets and two 1" one half height pieces as shown in Figure 9.

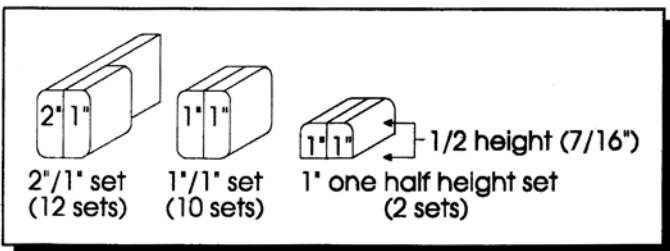


Figure 9- Back Walls

8. Back Roof-

a. Glue one 25 1/2", two 24", eighteen 3" pieces together. See Figure 10.

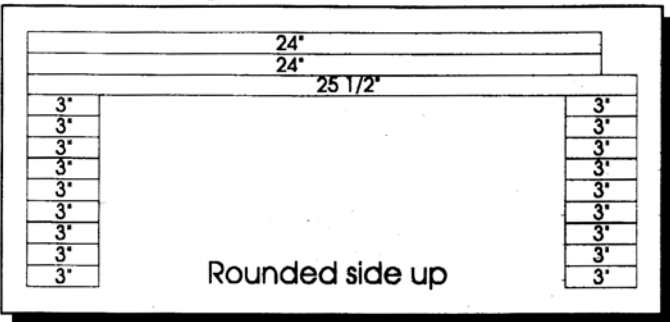


Figure 10- Back Roof

9. Dormer Walls- (two sets)

a. Glue one 6", one 4", six 2", and four 1" pieces together.
 b. Glue two such assemblies together and cut as shown in Figure 11.
 c. Glue the Sill half to the inside and half on the outside.

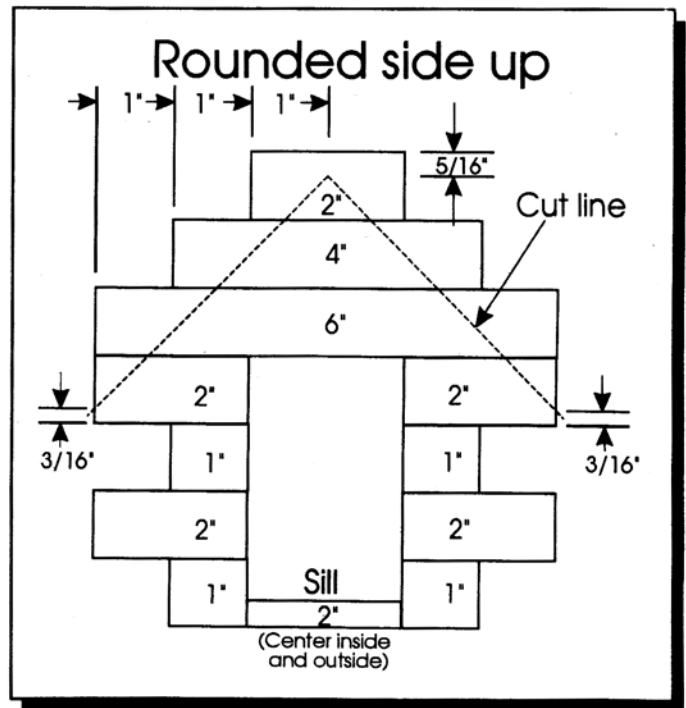


Figure 11- Dormer Front Walls

10. Dormer Roofs-

a. Make two sets of each side (2 Left and 2 Right Dormer Roofs).
 b. For the left sides of the Dormer Roofs glue two 7", two 6", and one 5" piece together with the flat side up as shown in Figure 12.
 c. Draw lines around the entire assembly and cut.

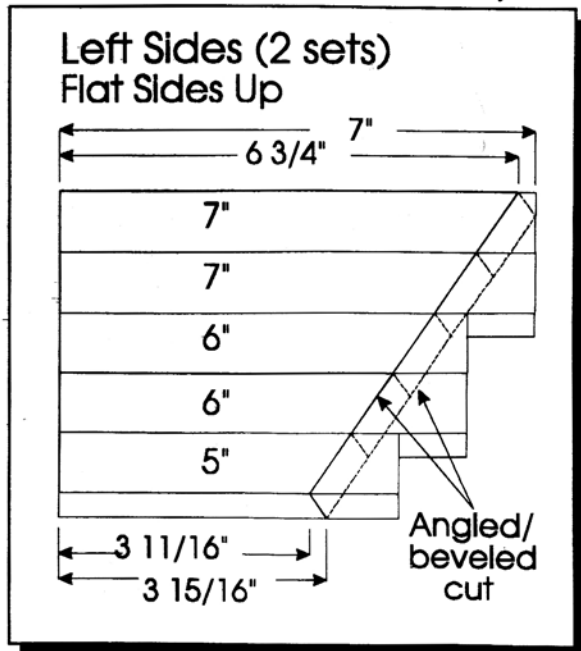


Figure 12- Dormer Left Side Roofs

d. For the right sides of the Dormer Roofs glue two 7", one 6", and two 5" pieces together with the flat sides up, draw and cut. See Figure 13.

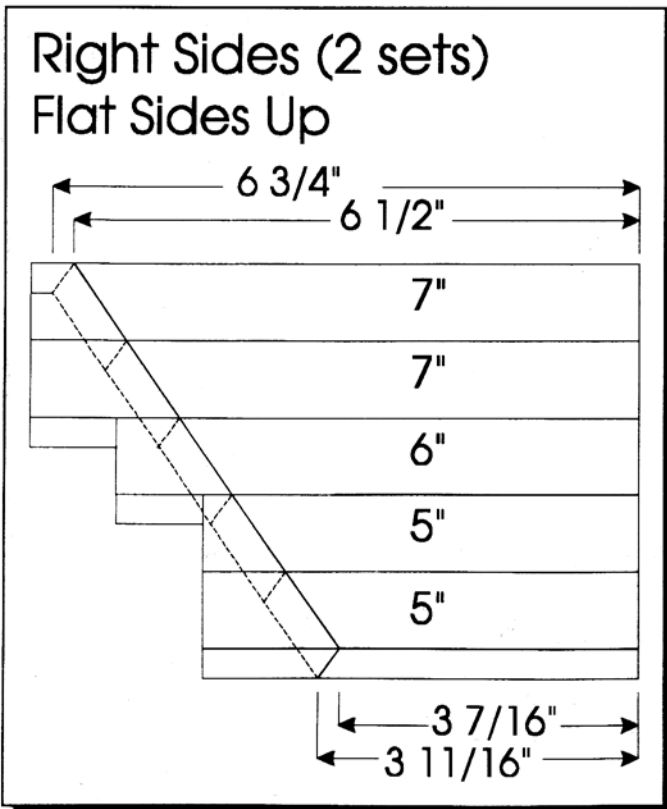


Figure 13- Dormer Right Side Roofs

11. Front Door and Step-

- a. For the Door glue four 6 1/2" pieces together.
- b. For the Door Braces, use one 5", two 4", and two 7/8" (cut the 7/8" pieces from some scrap lengths left over from trimming the tops of the walls), and two nails. Cut, notch, round and assemble the hinge and brace pieces as shown. Round the outer ends of the Cross Braces with sandpaper so the door will open smoothly.
- c. Glue one 3", four 2", and two 1" pieces to assemble the Front Step as shown in Figure 14. See also picture on box label.
- d. Using two 7 3/4" and one 6" piece, glue the Front Door assembly with outer trim together.

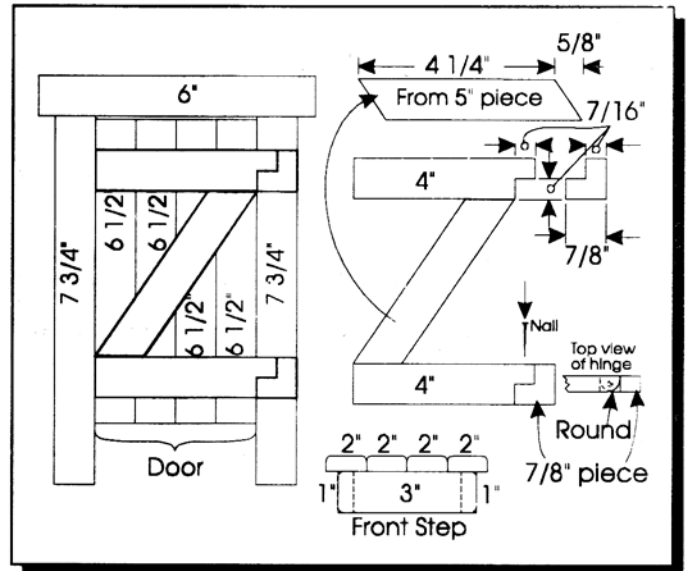


Figure 14- Front Door, Braces, and Trim

12. Window Trim and Shutters-

- a. Front Wall- glue two 5", four 4 3/8", and four 1 3/4" pieces together. See Figure 15.
- b. Right Side Wall- glue two 4", four 4 3/8", and four 1 3/4" pieces together. See Figure 15.

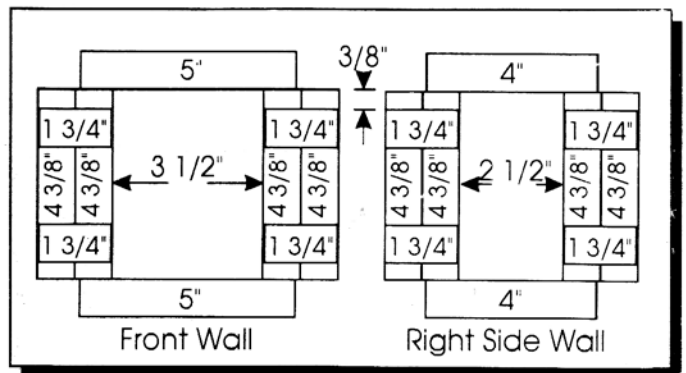


Figure 15- Window Trim

13. Ladder-

- a. Glue two 12 1/2" and six 2" pieces together as shown in Figure 16. See also back view on label. The 2nd Floor will act as the top (7th) step.

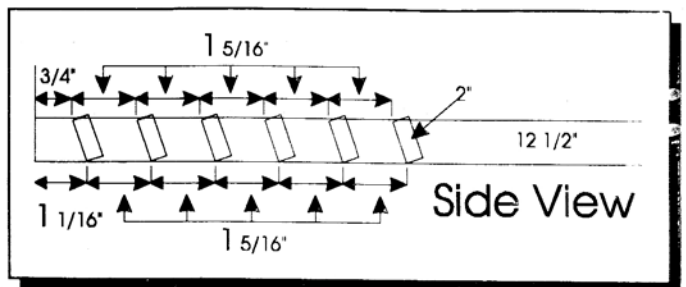


Figure 16- Ladder

ASSEMBLY

1. Walls and Floors-

a. Interlock and glue the Left and Right Side Walls with the Front Wall. Insert and glue the 1st Floor and 2nd Floor on top of the Floor Supports. Tape together. See Figure 17.

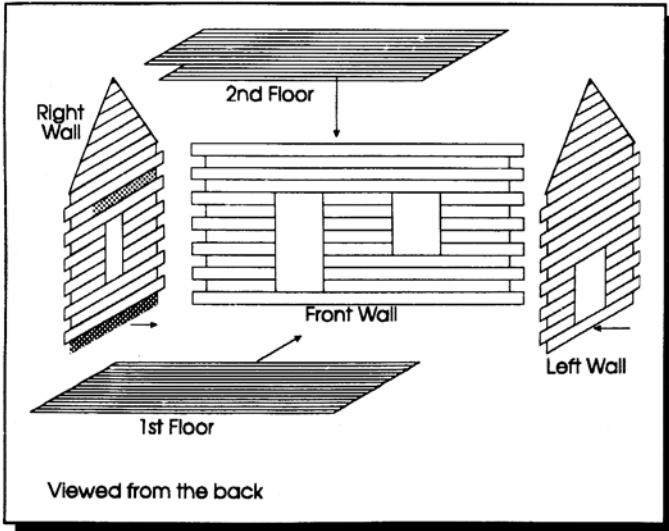


Figure 17- Assemble Walls and Floors

b. Interlock and glue the Back Wall assemblies to the back edges of the Left and Right Side Walls. Install assemblies (2"/1" and 1"/1") separately. After the assemblies are installed into the back edges of the Side Wall they will look like Figure 18.

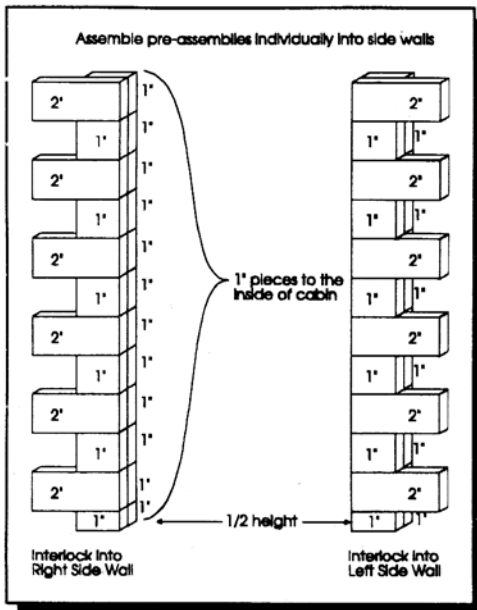


Figure 18- Install Back Walls

c. Glue one 24" piece under the back edge of the 1st floor. See Back View on label.

d. Glue two 12 1/2" pieces to the underside of the 1st floor, on edge, from front to back, equally spaced.

2. Dormers to Front Roof

a. Interlock and glue the corners that were trimmed off of the side walls (A,B,C,and D) with the Dormer Walls. Glue these assemblies to the Front Roof with the insides of the side walls flush with the openings. See Figure 19.

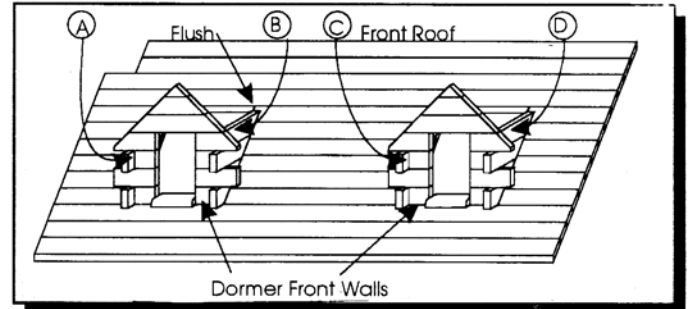


Figure 19- Dormers to Front Roof

3. Back Roof to Walls-

a. Glue Back Roof to the back edges of the side gables so that the top edge of the Back Roof is flush with the peak of the side gables. Align the notch created by the 24" pieces with the outside of the wall. This is where the chimney will attach. See Figure 20.

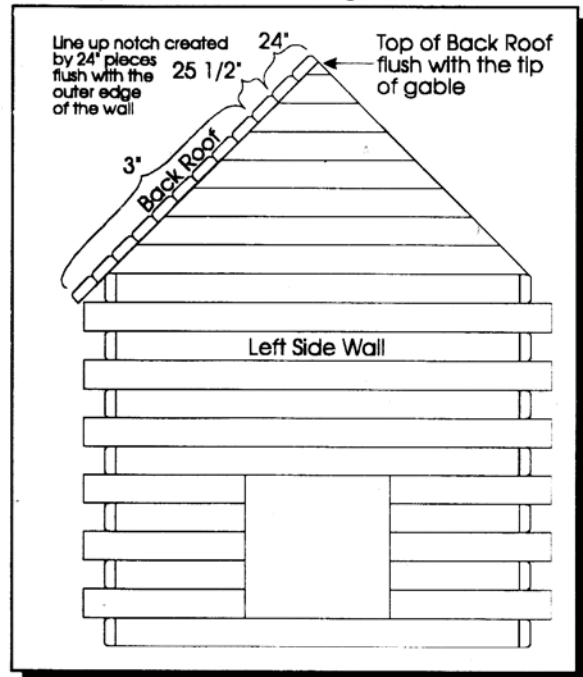


Figure 20- Back Roof To Walls

4. Front Roof to Walls-

a. Glue the Front Roof assembly to the front of the Left and Right Side Walls and the top of the Front Walls so that the top edge of the Front Roof overlaps and is flush with the top rounded edge of the Back Roof. Again, the notch in the roof will align with the outside of the Left Side Wall. (This overlap method is recommended to give the roof a sharp peak, even though the bottoms of the roofs are not even. This discrepancy will be covered by the trim pieces glued to the front edge of the roofs. If this bothers you, then align the roofs evenly and fill the valley created with a square strip of wood that you manufacture that is the same thickness as the roof pieces which are slightly thicker than 5/16"). See Figure 21.

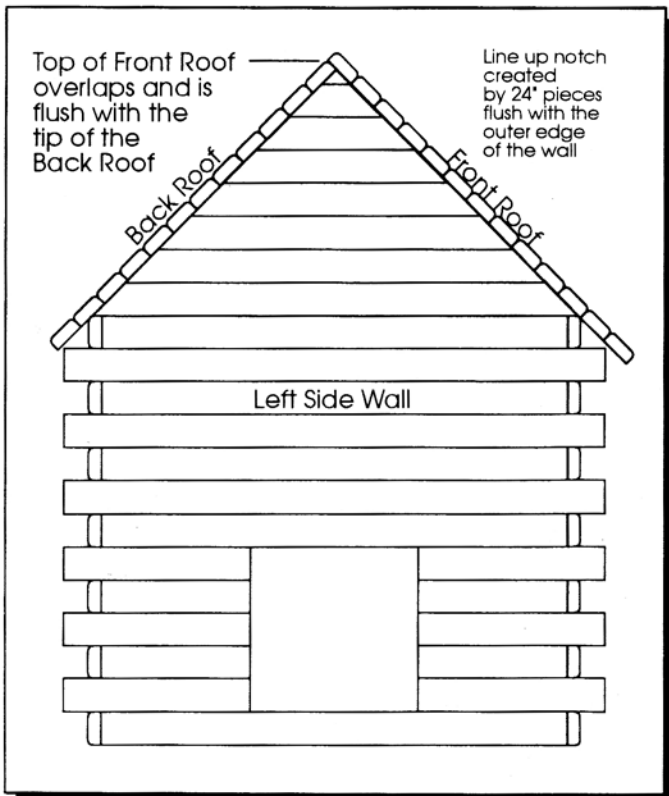


Figure 21- Front Roof to Walls

5. Dormer Roofs to Dormer Walls-

a. Glue the Dormer Roofs to the tops of the Dormer Walls with the Left Side Dormer Roof top edge overlapping the Right Side Dormer Roof top edge. See Figure 22.

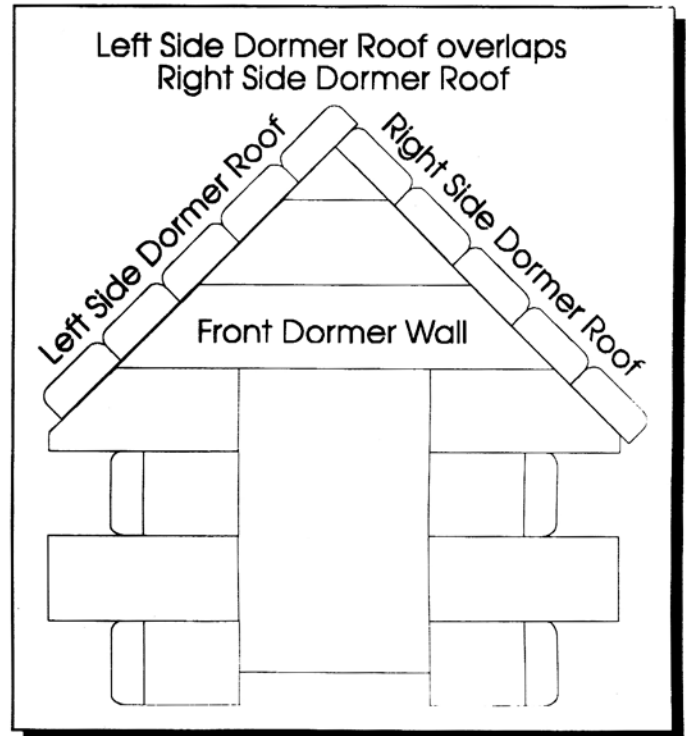


Figure 22- Dormer Roofs to Dormer Walls

6. Front Door, Braces, and Trim-

a. Install Door and Door Trim that was pre-assembled in the "Door and Front Step" pre-assembly section. See also front view on label. For the Door Handle, go outside and find a small twig with a bend in it and peel the bark. With the bend up, rub the twig on a piece of sandpaper to flatten a gluing surfaces. This handle will give the door an authentic appearance. Glue in place. Refer back to Figure 14.

7. Window Trim and Shutters-

a. Install Window Trim and Shutters from the "Window Trim and Shutters" pre-assembly section. See front view

8. Loft Railing-

a. Glue one 19", one 4", and sixteen 2" pieces as shown in Figure 23.

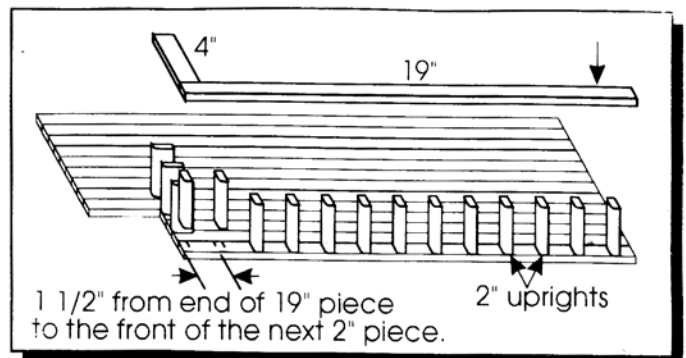


Figure 23- Loft Railing

b. Install Ladder. See back view

9. Chimney and Fireplace-

a. From the dieboard, gather the Fireplace, Outside Wall, Inside Wall, Top and Bottom Front Walls, Top and Bottom Back Walls, Top Brace, Bottom Brace, Fireplace Bottom, and Top Plate. Assemble Chimney as in Figure 24.

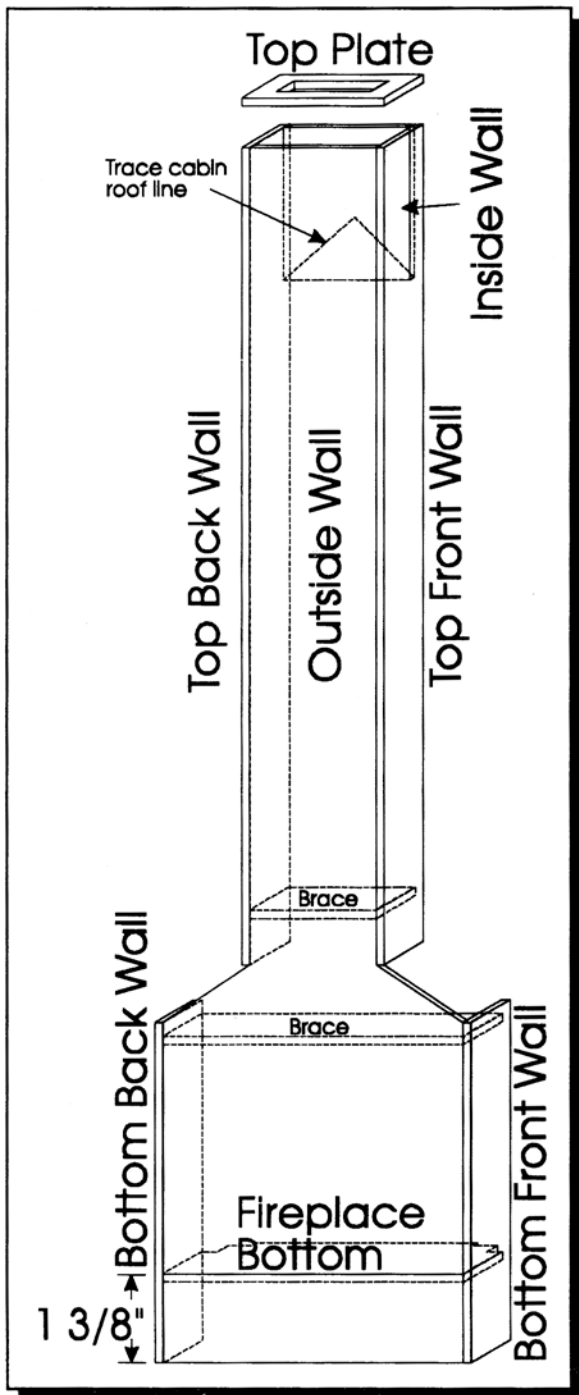


Figure 24- Chimney Assembly

b. Paint the Fireplace and Chimney assembly. The paint will be the mortar lines between the stones. We recommend latex paint for its low fumes. Grey or black are popular colors. Paint the inside of the lower section of the Chimney black for a soot appearance.

c. The Stone Stencil Tape repeats its pattern every 9". This means that to stack the Stencil higher than one layer, the Stencil should be cut into 9" lengths. This will allow the top and bottom edges of the Stencil to align properly.

d. Cut seven 9" lengths of Stone Stencil Tape.

e. Trace lines at the top and bottom of the fireplace where the wooden mantle pieces will go and mask the area above and below the lines. This tape will prevent the Stone Mix from getting on the fireplace in these areas so the mantle parts will glue in place flat. Figure 25.

f. Peel one length of Stencil from the backing leaving behind the stone shapes. Stick Stencil to the Fireplace. Press firmly for full contact. Peel another length of Stencil. Repeat and make sure to align the bottom edge of the length currently being applied with the top edge of the previous length. Figure 25

g. To cover one foot of Stone Stencil Tape requires approximately 1 1/2 ounces or 1 3/4 tablespoons of Stone Powder Mix. Put about 3 tablespoons of white tacky glue into a paper cup. Add an equal amount of water to the glue. Mix well. Put the appropriate amount of Stone Powder into a different paper cup. Slowly add small amounts of glue/water mixture to the Stone Powder (it is easy to add too much liquid). Mix after each addition. Continue this process until the mixture starts to hold its own shape like cake frosting.

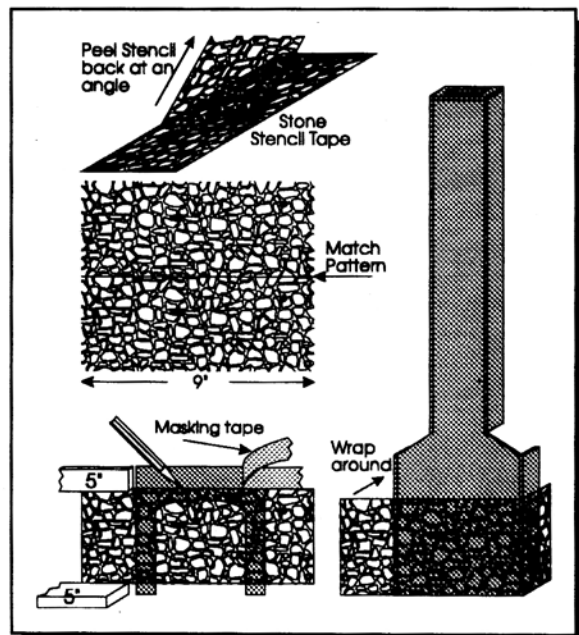


Figure 25- Stone Fireplace and Chimney

h. Spread the mixture over the Stencil with a putty knife or other similar tool to about 1/16" thick. Now is the time to "doctor" the stones if desired. Some suggestions are to sprinkle pepper on the mix to give a granite look or "age" the stone with a very diluted paint mix.

i. Remove stencil within 5 minutes. Stick the overhanging Stencil ends to a piece of scrap wood and pull. Remove the stencil at an angle as when removing from the backing. The wood handle will help to pull the stencil off evenly. If needed, touch up the stones with a small piece of wood while the mixture is still soft.

j. Repeat the process with the Chimney, but first dry fit the chimney into place on the Left Side Wall and trace the roof line onto the Inside Wall of the Chimney. Mask below this line. After removing the stencil, remove the tape.

k. Glue Fireplace and Chimney in place.

l. Use one 6", two 5", and four 2" pieces to finish the Fireplace Mantle and Chimney Hips (See photos on label).

10. Log Tips-

a. Glue sixty four 5/8" pieces to the tips of the protruding logs to double the thicknesses. The locations include the four corners of the house and the corners of the Dormers. See label.

11. Roof Edge Trim-

a. Using four 13 1/2" and four 6" pieces, cut the following parts. See Figure 26.

b. The Back Roof Edge Trim is shorter to reduce the overhang from the off-set roof peak junction.

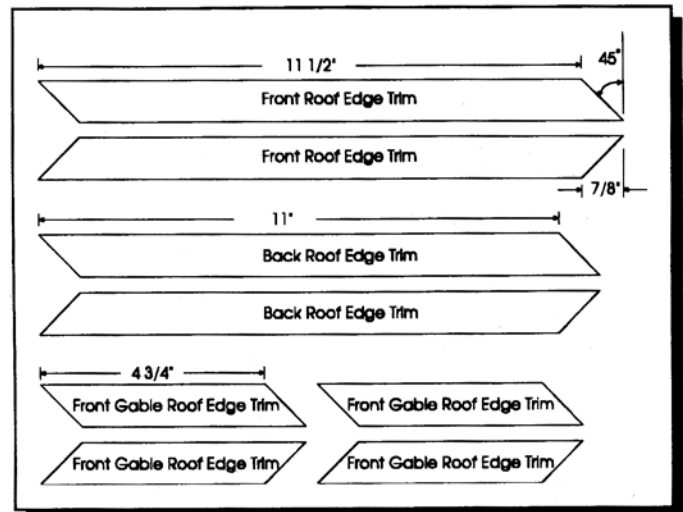


Figure 26- Roof Edge Trim

c. Install as on label.

12. Furniture-

a. Bed-

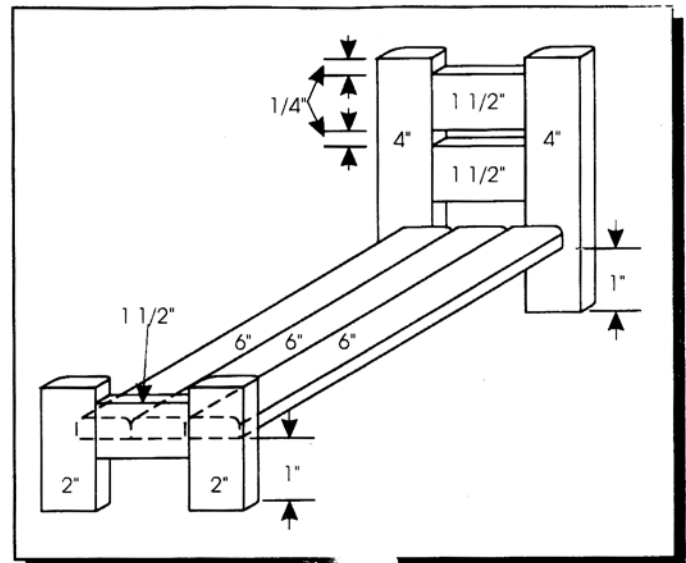


Figure 27- Bed

b. Table and Benches-

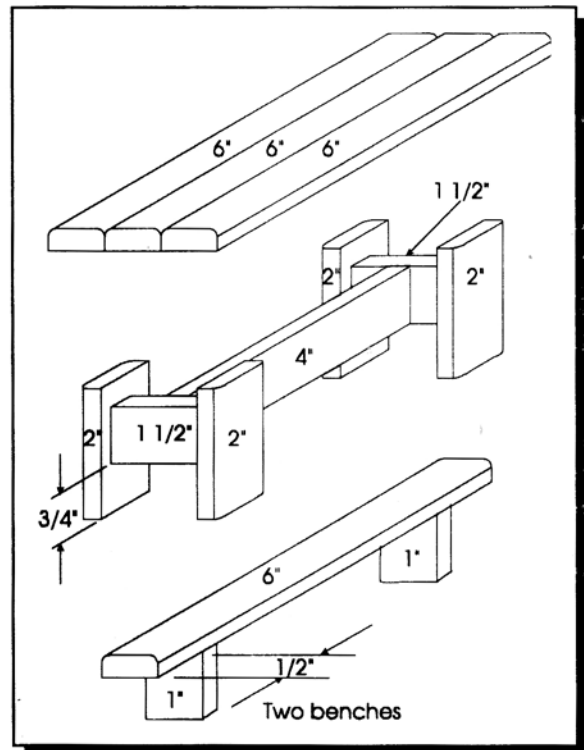


Figure 28- Table and Benches

c. Deacon Bench- See figure and front cover photo.

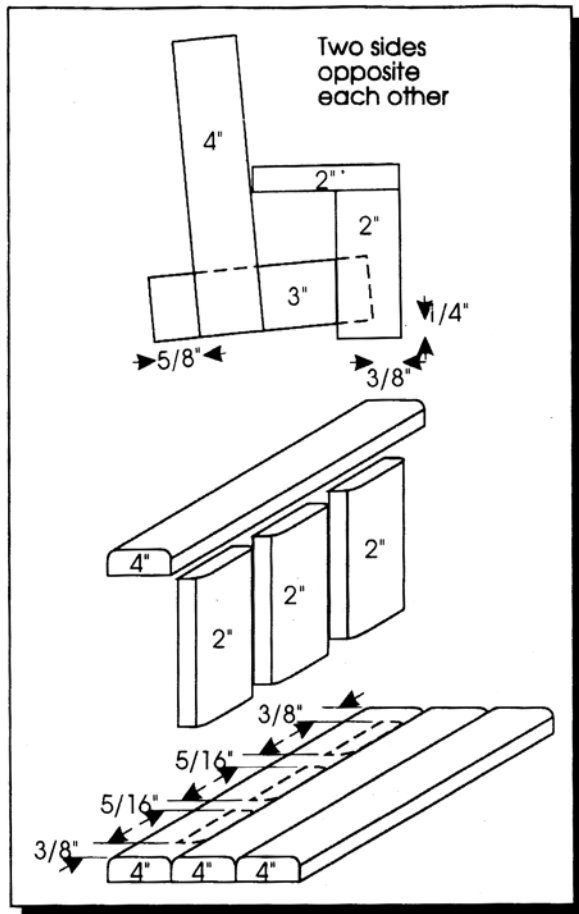


Figure 29- Deacon Bench

d. Hutch-

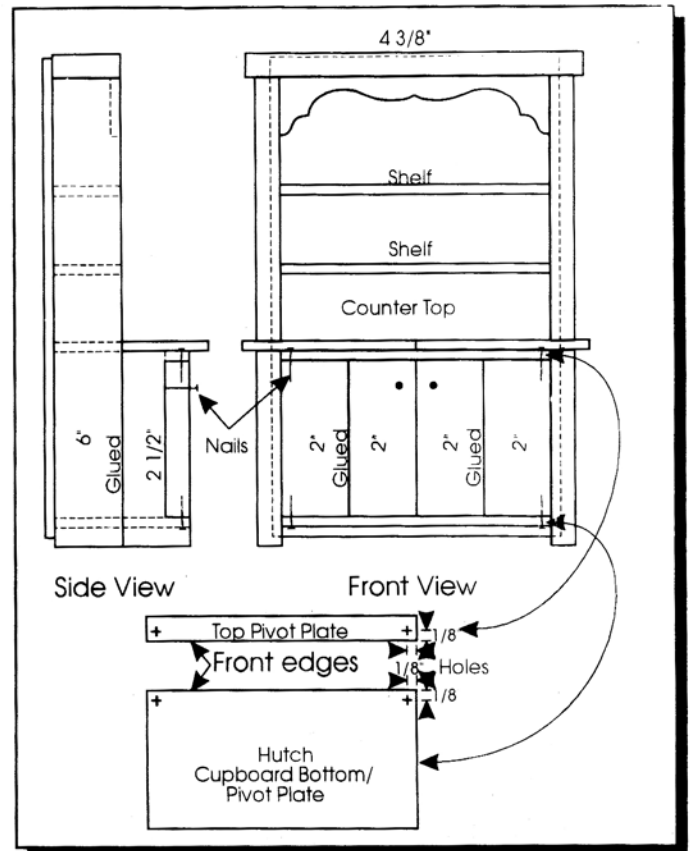
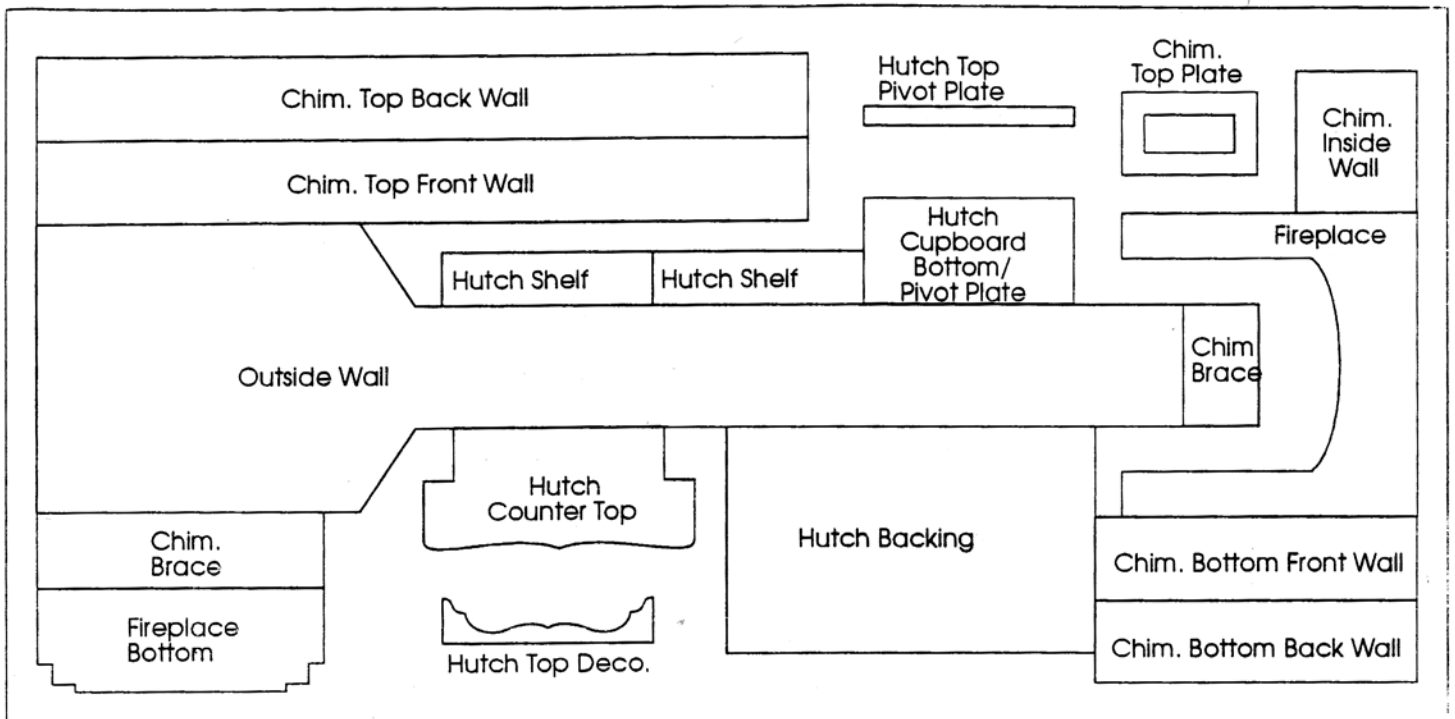
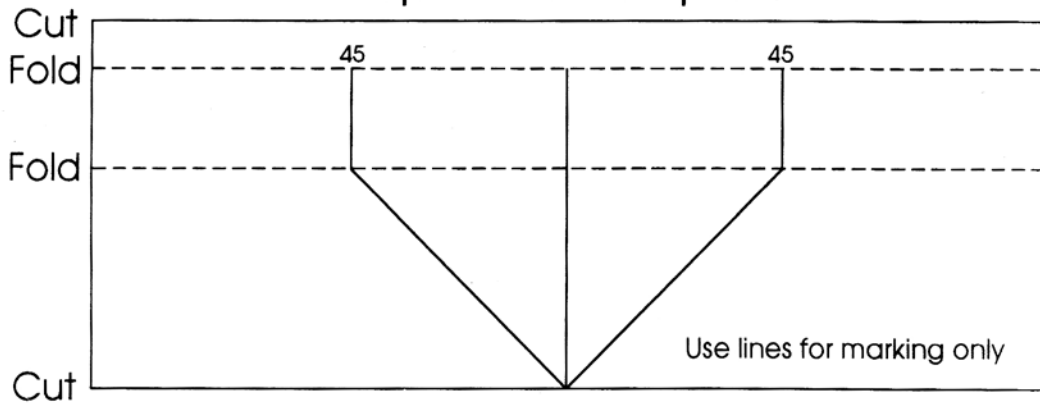


Figure 30- Hutch



CONGRATULATIONS!! You should now be finished with your miniature mansion doll house! Take this time to look over your house for any loose ends. While you still have your tools and paint handy, fix any pieces that need fixing and use your paint for any touch-up that needs to be done. After everything is done, display your house and brag to your friends about how easy it was.

Paper Miter Template

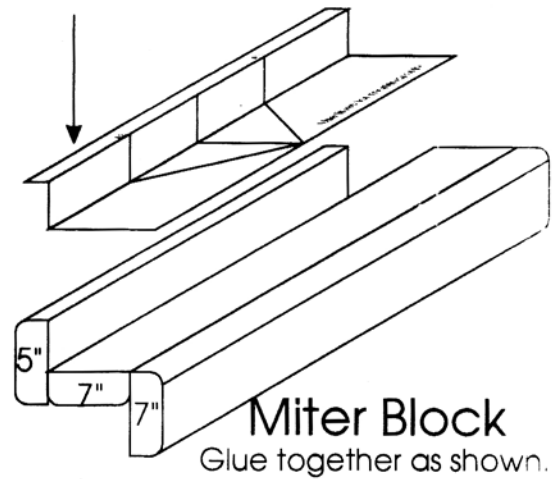


Glue
Paper
Miter
Template
to Miter
Block as
indicated.

WARRANTY

Buy this kit with confidence!

Dura-Craft, Inc. will guarantee each purchase with the necessary service and assistance to satisfactorily complete this kit. Damaged or missing parts will be replaced even if the damage is caused by improper assembly. This assistance will be supplied at no additional cost.



Missing and Broken Parts Replacement Form

(For faster service, please use english version of "Missing and Broken Parts Replacement Form" and use english when filling out form.)

While we have done our very best to make sure that the kit you have purchased is complete and accurate, sometimes something goes wrong. We may have forgotten a piece, parts may have been damaged in freight, or you may have assembled it wrong. Dura-Craft, Inc. policy has always been to replace parts at no charge, postage prepaid, no matter who was at fault. For our records though, please mark one of the following.

- MISSING
 DAMAGED
 ASSEMBLED WRONG

Name _____

Address _____

City, State, Zip _____

Phone () _____

Return this form to: DURA-CRAFT, INC. P.O. BOX 459 NEWBERG, OR 97132

Building	Sheet No.	Quantity	Name of Part

